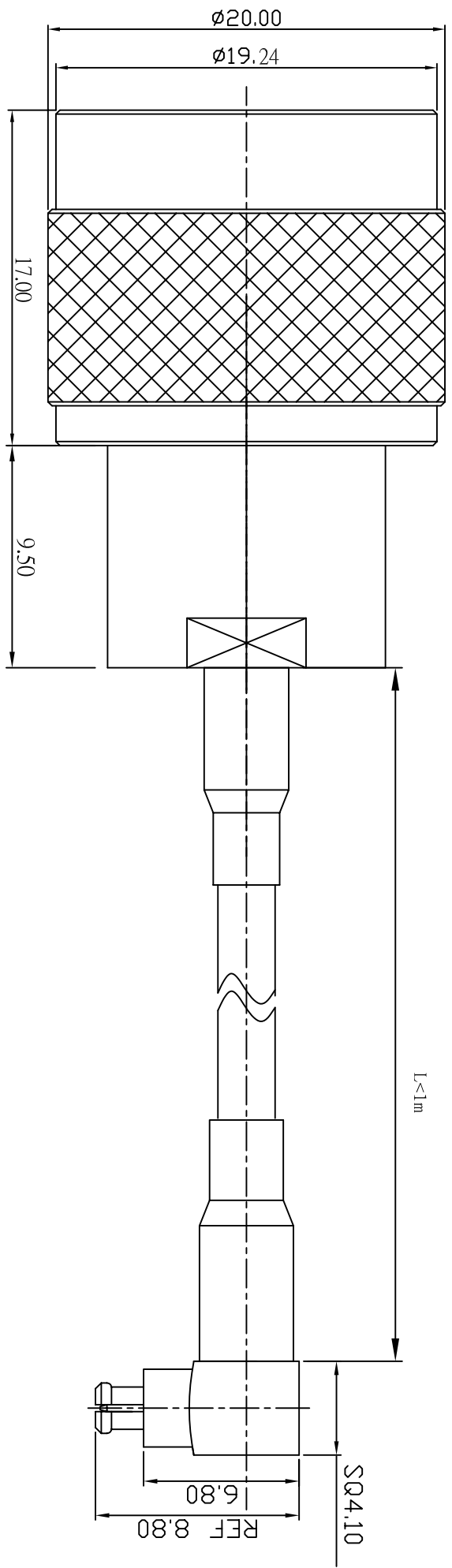


REV	DESCRIPTION	DRAWN	DATE




NO	Description	Qty	Material	Finish
3	MC CARD-2501-3-L-TGN	1	BRASS	GOLD
2	RG174/RG316/LLC100	1		
1	N-1158-2-L-TGN	1	BRASS	NICKEL

UNLESS OTHERWISE SPECIFIED
 1 REMOVE ALL BURRS
 2 BREAK ALL CORNERS & EDGES CO.15 MAX.
 3 CHAMFER 1ST & LAST THREADS 45°.
 4 DIAMETERS ON COMMON CENTERS TO BE CONCENTRIC WITHIN DIMENSIONS ARE 5. AFTER PLATING.

SCALE	UNIT	MM
3/1	MM	

APPROVED	CHECKED	DRAWN	DRAWN DATE
		PEN	05/05/04


華耀科技有限公司
 Hua Yao Technologies co.,Ltd
 TITLE N1158-MC CARD2501
 DRAWING NO. 11582/174/316/100/25013-1L
 FILE NO. D:\DWG\1158-MC CARD2501\11582\174\316\100\25013-1L
 REV A