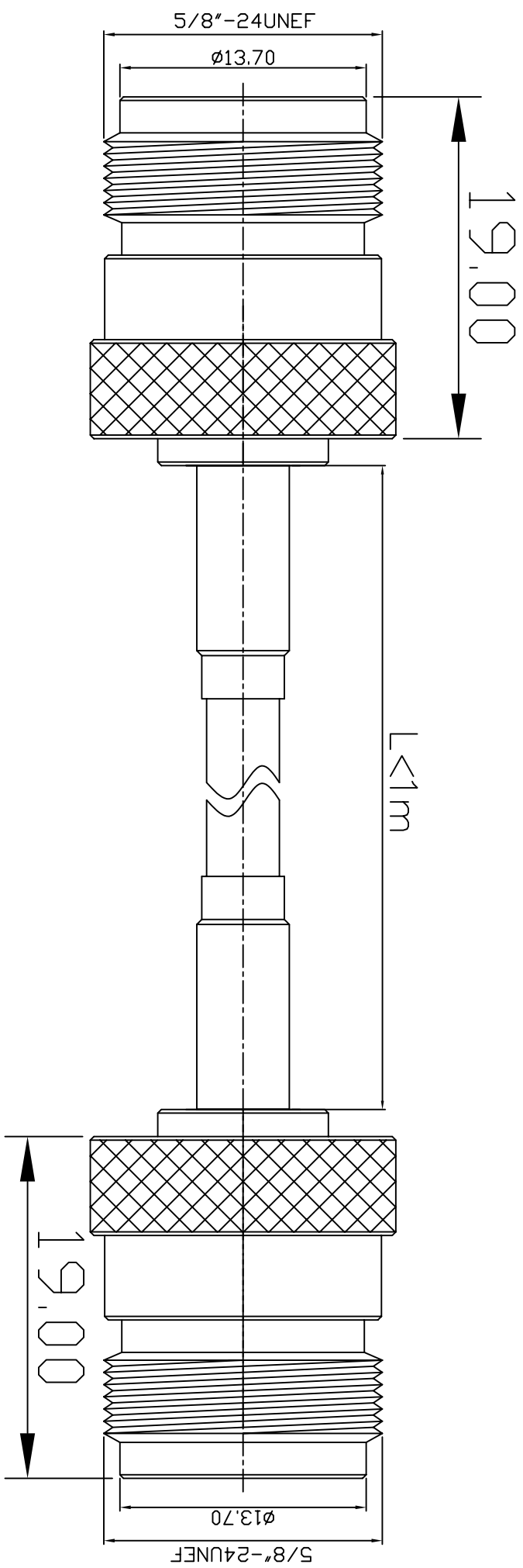



REV	DESCRIPTION	DRAWN	DATE



NO	Description	Qty	Material	Finish
3	N-1111-4-F-TGN	1	BRASS	NICKEL
2	LLC200/RG58	1		
1	N-1111-4-F-TGN	1	BRASS	GOLD

UNLESS OTHERWISE SPECIFIED		*MAJOR DIMENSION		APPROVED		 華耀科技有限公司 <i>Hua Yao Technologies co.,Ltd</i>
1 REMOVE ALL BURRS 2 BREAK ALL CORNERS & EDGES CO.15 MAX. 3 CHAMFER 1ST & LAST THREADS 45° 4 DIAMETERS ON COMMON CENTERS TO BE CONCENTRIC WITH DIMENSIONS ARE AFTER PLATING.		UNLESS OTHERWISE NOTED TOLERANCES 0.5-6=±0.2 6-30=±0.4 30-120=±0.6 120-315=±1.0 ANGLES=±1°		CHECKED		
SCALE	3/1	UNIT	MM	DRAWN	PEN	DRAWING NO. 11114/200/58/11114-1L
DRAWN DATE 04/09/29				FILE NO.		DWG\N1111-N1111\11114/200/58/11114-1L
				REV		A