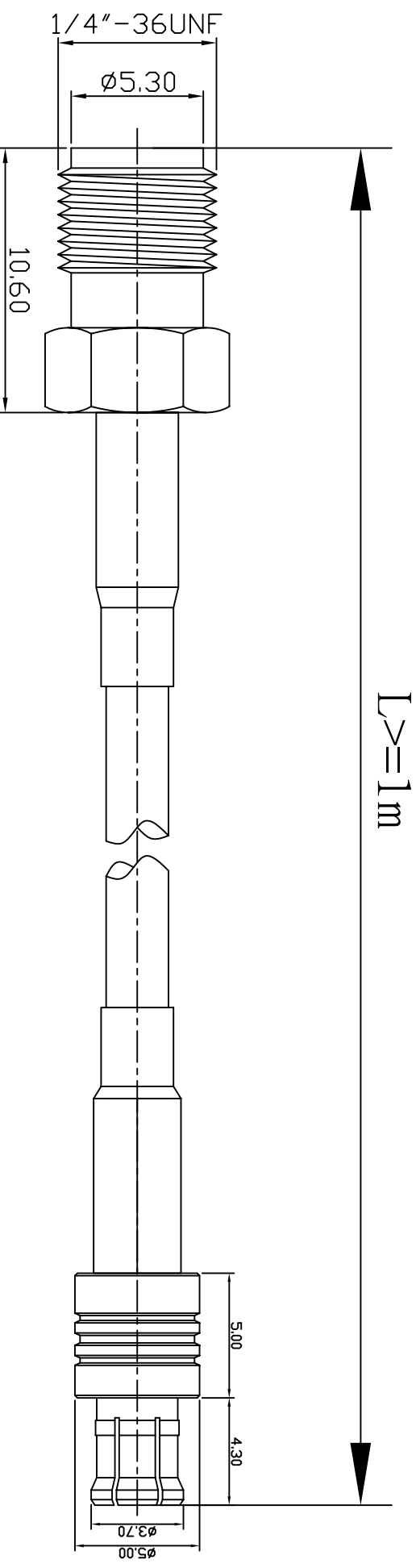



REV	DESCRIPTION	DRAWN	DATE



$L \geq 1\text{ m}$

NO	Description	Qty	Material	Finish
3	MCX-901-3-L-TGG	1	BRASS	GOLD
2	RG174/RG316/LLC100	1		
1	SMA-1011-1-L-TGG	1	BRASS	GOLD

1 REMOVE ALL BURRS 2 BREAK ALL CORNERS & EDGES CO.15 MAX. 3 CHAMFER 15° & LAST THREADS 45° 4 DIAMETERS ON COMMON CENTERS TO BE CONCENTRIC WITH DIMENSIONS ARE AFTER PLATING.		*MAJOR DIMENSION UNLESS OTHERWISE NOTED TOLERANCES 0.5-6 = ±0.2 6-30 = ±0.4 30-120 = ±0.6 120-315 = ±1.0 ANGLES = ±1°		APPROVED CHECKED DRAWN ARNO		 華耀科技有限公司 Hua Yao Technologies co.,Ltd	
SCALE	4/1	UNIT	MM	DRAWN DATE	03/06/23	FILE NO.	D:\DWG\SMA1011-MCX901\9013/174/316/100/10111-AL
TITLE				DRAWING NO.		REV	
SMA1011-MCX901				9013/174/316/100/10111-AL		A	