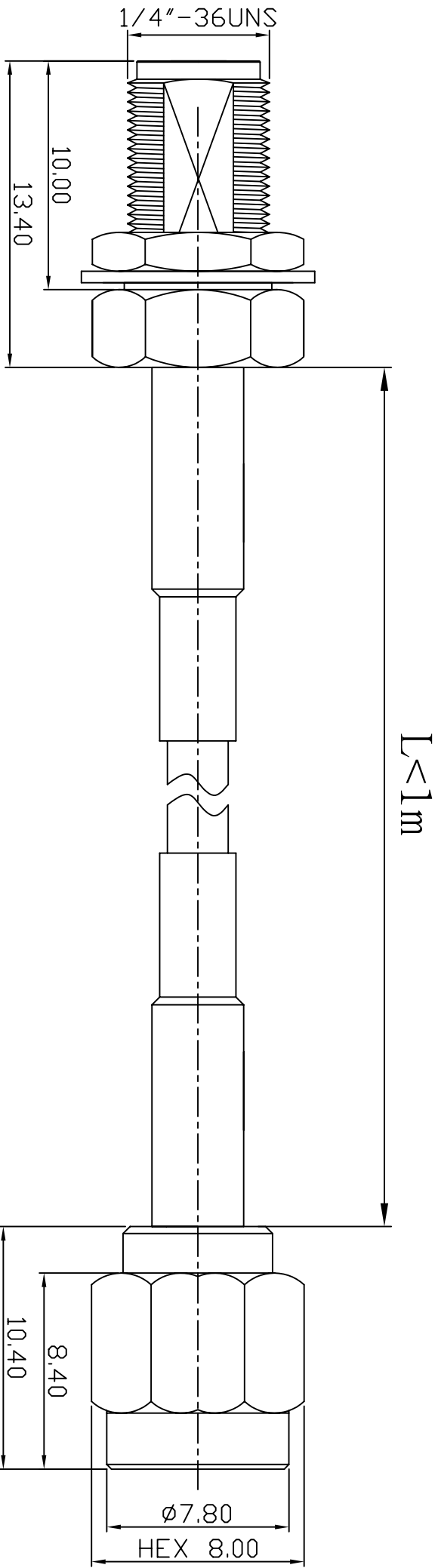



REV	DESCRIPTION	DRAWN	DATE



$L < 1\text{ m}$

NO	Description	Qty	Material	Finish
3	SMA-1012-7-L-TGG	1	BRASS	GOLD
2	RG174/RG316/LLC100	1		
1	SMA-1001-4-L-TGG	1	BRASS	GOLD

UNLESS OTHERWISE SPECIFIED		*MAJOR DIMENSION		APPROVED		 華耀科技有限公司 <i>Hua Yao Technologies co.,Ltd</i>
1 REMOVE ALL BURRS		UNLESS OTHERWISE NOTED		CHECKED		
2 BREAK ALL CORNERS & EDGES CO.15 MAX.		TOLERANCES		DRAWN		TITLE SMA1001-SMA1012
3 CHAMFER 1ST & LAST THREADS 45°		0.5-6=±0.2		CHAI		
4 DIAMETERS ON COMMON CENTERS		6-30=±0.4		DRAWN DATE 04/03/23		DRAWING NO. 10127/174/316/100/10014-1L
5 ALL DIMENSIONS ARE AFTER PLATING.		30-120=±0.6		FILE NO.D:\DWG\SMA1001-SMA1012\10127\174\316\100\10014-1L		
		120-315=±1.0				REV A
		ANGLES=±1°				