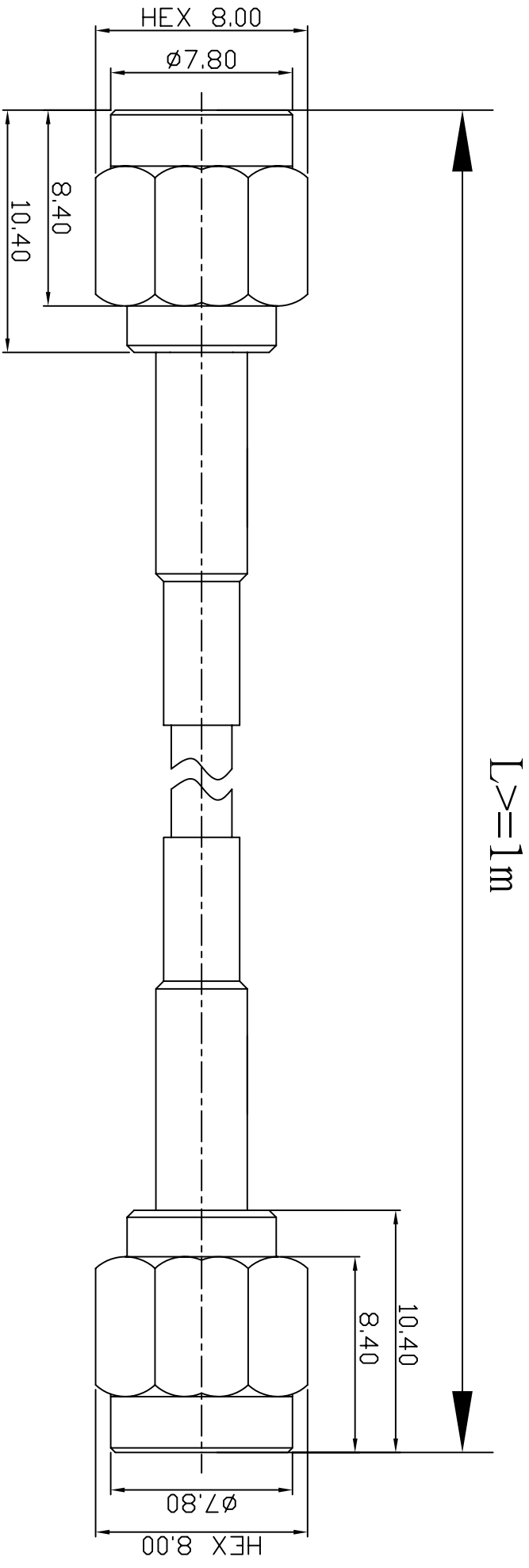



REV	DESCRIPTION	DRAWN	DATE



NO	Description	Qty	Material	Finish
3	SMA-1001-5-F-TGG	1	BRASS	GOLD
2	LLC200/RG58	1		
1	SMA-1001-5-F-TGG	1	BRASS	GOLD

1 REMOVE ALL BURRS 2 BREAK ALL CORNERS & EDGES CO.15 MAX. 3 CHAMFER 1ST & LAST THREADS 45°. 4 DIAMETERS ON COMMON CENTERS TO BE CONCENTRIC WITHIN DIMENSIONS ARE AFTER PLATING.		*MAJOR DIMENSION UNLESS OTHERWISE NOTED TOLERANCES 0.5-6=±0.2 6-30=±0.4 30-120=±0.6 120-315=±1.0 ANGLES=±1°		APPROVED CHECKED DRAWN PEN		 華耀科技有限公司 <i>Hua Yao Technologies co.,Ltd</i>	
SCALE	4/1	UNIT	MM	DRAWN DATE	04/06/24	TITLE	SMA1001-SMA1001
						DRAWING NO.	10015/200/58/10015-AL
						REV	A
FILE NO. D:\DVG\SMA1001-SMA1001\10015/200/58/10015-AL							