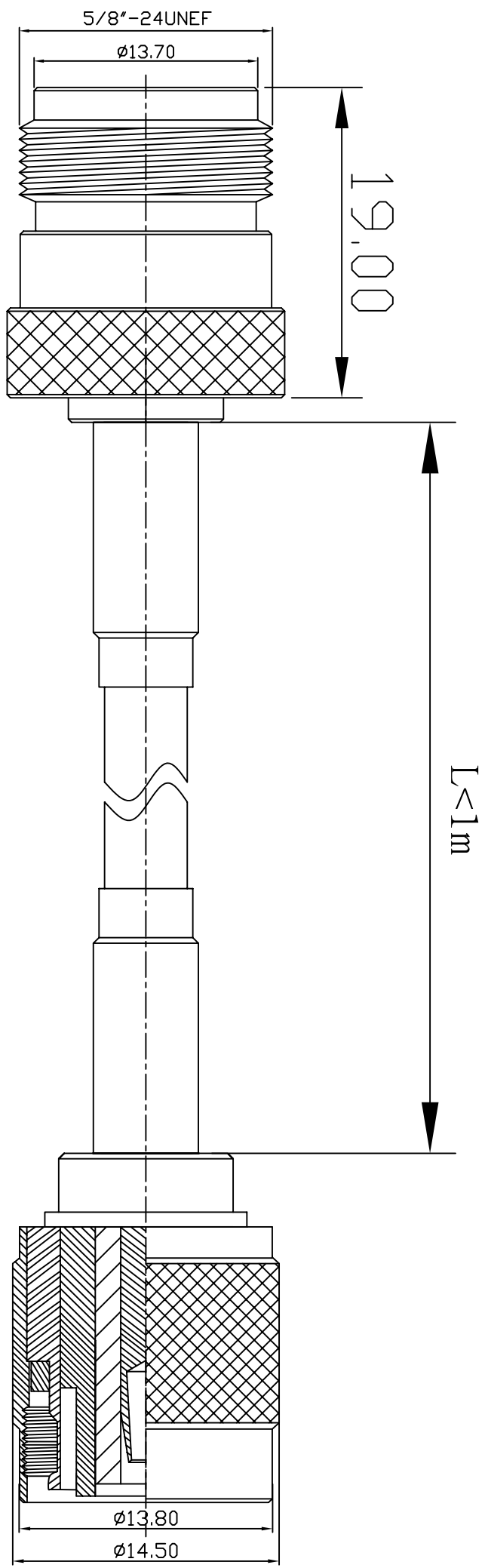



REV	DESCRIPTION	DRAWN	DATE



NO	Description	Qty	Material	Finish
3	TNC-1501-6-F2-RP-TGN	1	BRASS	NICKEL
2	LLC200/RG58	1		
1	N-1111-4-F-TGN	1	BRASS	GOLD

1 REMOVE ALL BURRS 2 BREAK ALL CORNERS & EDGES CO.15 MAX. 3 CHAMFER 1ST & LAST THREADS 45° 4 DIAMETERS ON COMMON CENTERS TO BE CONCENTRIC WITH DIMENSIONS ARE AFTER PLATING. 5. ALL DIMENSIONS ARE AFTER PLATING.		*MAJOR DIMENSION UNLESS OTHERWISE NOTED UNLESS TOLERANCES NOTED 0.5-6=±0.2 6-30=±0.4 30-120=±0.6 120-315=±1.0 ANGLES=±1°	
APPROVED CHECKED DRAWN ARNO		TITLE N1111 - TNC1501 DRAWING NO. 11114/200/58/15016R-1L REV A	
SCALE	7/2	UNIT	MM
DRAWN DATE	03/06/21		
FILE NO.	D:\DWG\N111-TNC1501\11114/200/58/15016R-1L		


華耀科技有限公司
 Hua Yao Technologies co.,Ltd