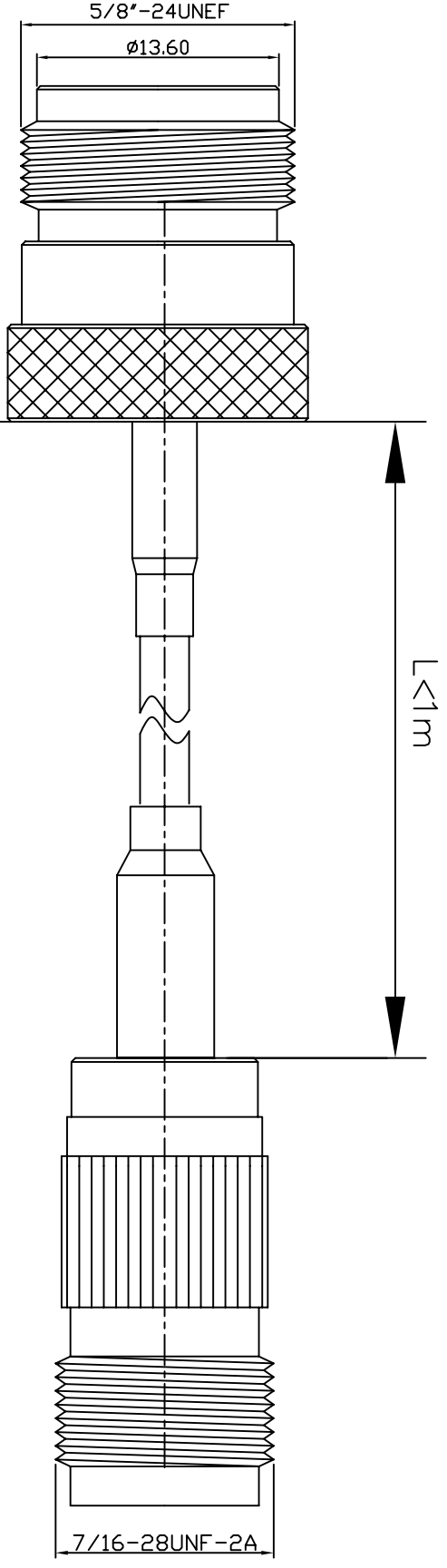



REV	DESCRIPTION	DRAWN	DATE



NO	Description	Qty	Material	Finish
3	TNC-1511-2-L-TGN	1	BRASS	NICKEL
2	Rg174/RG316/LLC100	1		
1	N-1111-8-L-TGN	1	BRASS	GOLD

1 REMOVE ALL BURRS 2 BREAK ALL CORNERS & EDGES CO.15 MAX. 3 CHAMFER 15° & LAST THREADS 45°. 4 DIAMETERS ON COMMON CENTERS TO BE CONCENTRIC WITH DIMENSIONS ARE AFTER PLATING. 5. AFTER PLATING.		*MAJOR DIMENSION UNLESS OTHERWISE NOTED UNLESS TOLERANCES NOTED 0.5-6=±0.2 6-30=±0.4 30-120=±0.6 120-315=±1.0 ANGLES=±1°		APPROVED CHECKED DRAWN ARNO		 華耀科技有限公司 <i>Hua Yao Technologies co.,Ltd</i> TITLE N1111 - TNC1511	
SCALE	7/2	UNIT	MM	DRAWN DATE	03/06/21	FILE NO.	D:\DWG\N1111-8-TNC511\11118/174/316/100/15112-1L
DRAWING NO.				REV			
11118/174/316/100/15112-1L				A			