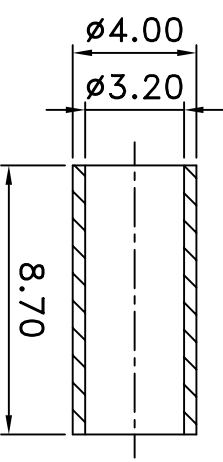
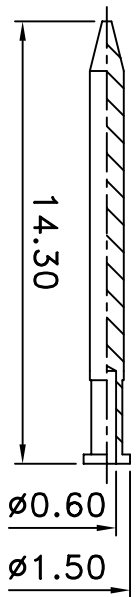
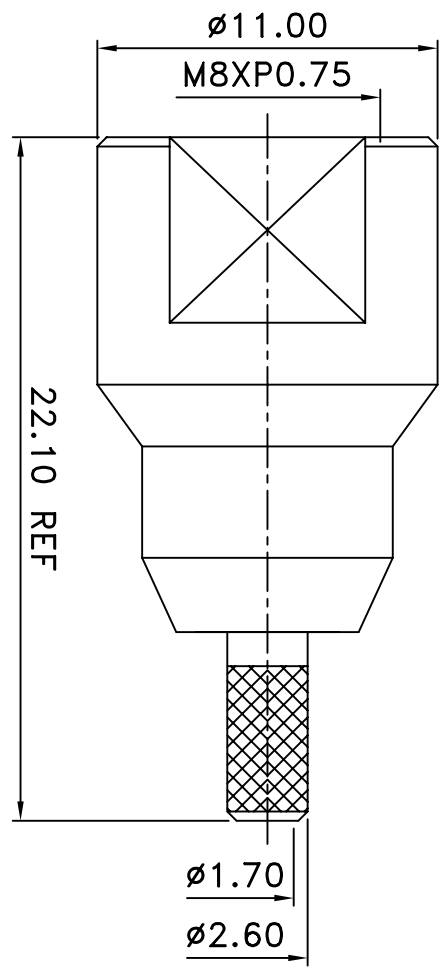


REV	DESCRIPTION	DRAWN	DATE




NO	Description	Qty	Material	Finish
5	Ferrule	1	Brass	Nickel
4	Ferrule	1	Brass	Nickel
3	Dielectric	1	Teflon	None
2	Pin	1	Brass	Gold
1	Body	1	Brass	Nickel

UNLESS OTHERWISE SPECIFIED  
 1.REMOVE ALL BURRS  
 2.BREAK ALL CORNERS & EDGES CO.1.5 MAX.  
 3.CHAMFER 1:1 & LAST THREADS 45°  
 4.DIAMETERS ON COMMON CENTERS  
 TO BE CONCENTRIC WITH DIMENSIONS  
 5.ALL DIMENSIONS ARE AFTER PLATING.

\* MAJOR DIMENSION  
 UNLESS OTHERWISE NOTED TOLERANCES  
 0.5-6=±0.2  
 6-30=±0.4  
 30-120=±0.6  
 120-315=±1.0  
 ANGLES=±1°

SCALE	4/1	UNIT	MM	DRAWN DATE	09/10/04
APPROVED	CHECKED	DRAWN	TAI		

 <b>華耀科技有限公司</b> <i>Hua Yao Technologies co.,Ltd</i>	
TITLE FME MALE CRIMP TYPE	
DRAWING NO. FME-2001-1-L-TGN	REV A
FILE NO. D:\DWG\FME MALE CRIMP TYPE\FME-2001-1-L-TGN	