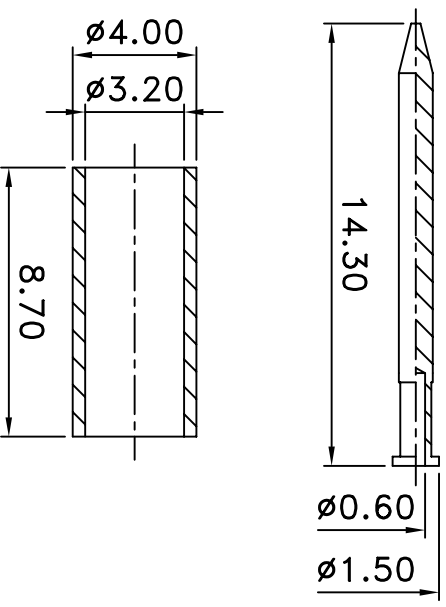
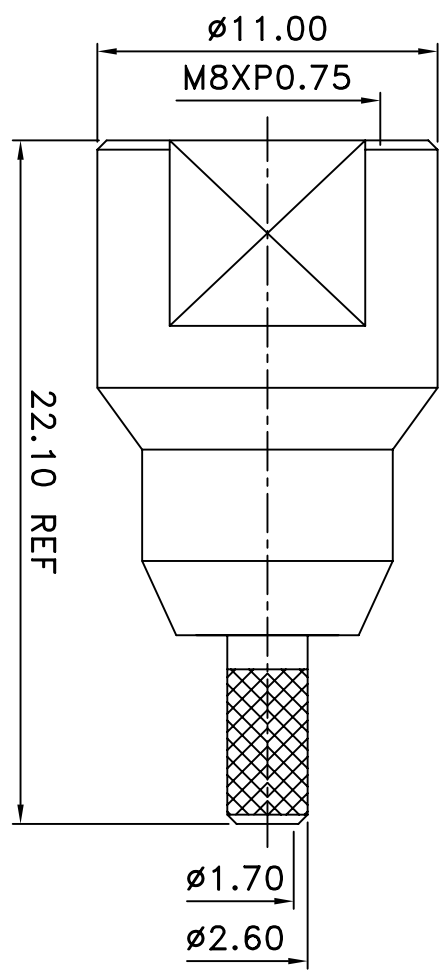



REV	DESCRIPTION	DRAWN	DATE



NO	Description	Qty	Material	Finish
5	Ferrule	1	Brass	Nickel
4	Ferrule	1	Brass	Nickel
3	Dielectric	1	Delrin	None
2	Pin	1	Brass	Gold
1	Body	1	Brass	Nickel

UNLESS OTHERWISE SPECIFIED		* MAJOR DIMENSION		APPROVED		 華耀科技有限公司 <i>Hua Yao Technologies co.,Ltd</i>
1 REMOVE ALL BURRS 2 BREAK ALL CORNERS & EDGES CO.1.5 MAX. 3 CHAMFER 15° & LAST THREADS 45° 4 DIAMETERS ON COMMON CENTERS TO BE CONCENTRIC WITH DIMENSIONS ARE AFTER PLATING.		UNLESS OTHERWISE NOTED TOLERANCES 0.5-6 = ±0.2 6-30 = ±0.4 30-120 = ±0.6 120-315 = ±1.0 ANGLES = ±1°		CHECKED	DRAWN	
SCALE	4/1	UNIT	MM	DRAWN DATE	09/10/04	TITLE
				DRAWN	TAI	FME MALE CRIMP TYPE
				DRAWING NO.	FME-2001-2-L-DGN	REV
				FILE NO. D:\DWG\FME MALE CRIMP TYPE\FME-2001-2-L-DGN		A