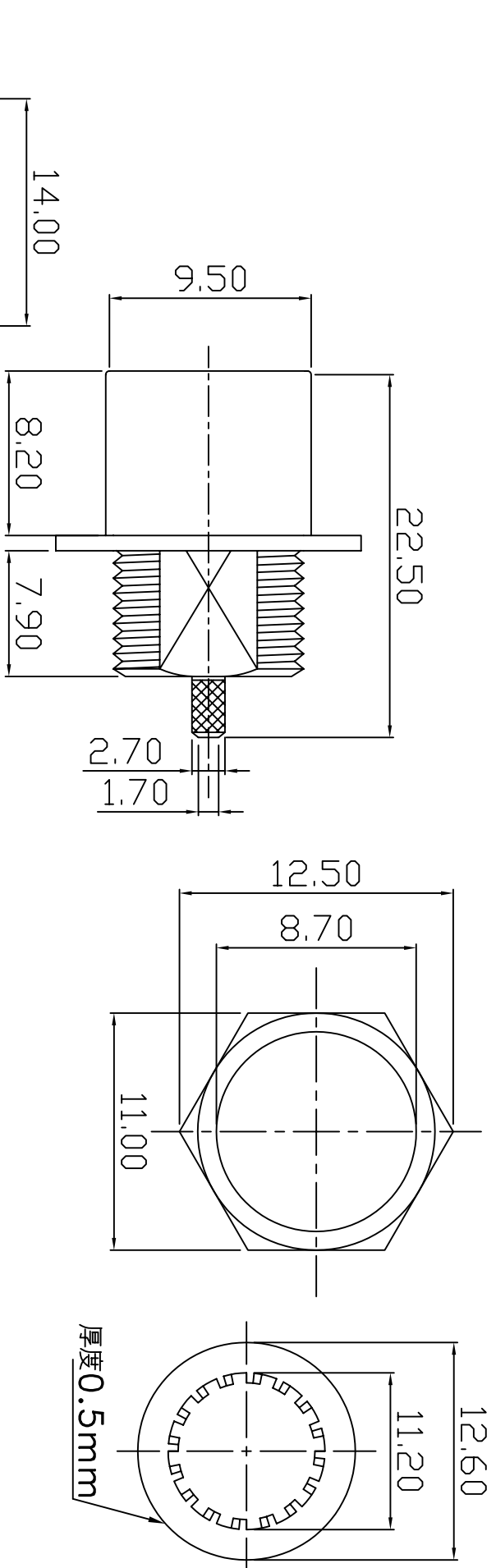


REV	DESCRIPTION	DRAWN	DATE



NO	Description	Qty	Material	Finish
6	PIN	1	BRASS	GOLD
5	INSULATOR	1	TEFLON	WHITE
4	WASHER	1	BRASS	NICKEL
3	NUT	1	BRASS	NICKEL
2	TOP HAT	1	BRASS	NICKEL
1	BODY	1	BRASS	NICKEL

UNLESS OTHERWISE SPECIFIED  
 1. REMOVE ALL BURRS  
 2. BREAK ALL CORNERS & EDGES CO.15 MAX.  
 3. CHAMFER 15° & LAST THREADS 45°  
 4. DIAMETERS ON COMMON CENTERS  
 5. ALL DIMENSIONS ARE AFTER PLATING.

\*MAJOR DIMENSION  
 UNLESS OTHERWISE NOTED, TOLERANCES  
 0.5-6=±0.2  
 6-30=±0.4  
 30-120=±0.6  
 120-315=±1.0  
 ANGLES=±1°

APPROVED  
 CHECKED  
 DRAWN  
 Betty

華耀科技有限公司  
 Hua Yao Technologies co., Ltd.  
 TITLE  
 FME MALE BULKHEAD  
 DRAWING NO.  
 FME-2025-1-L-TGN  
 FILE NO.  
 D:\DIVG\FME MALE BULKHEAD\FME-2025-1-L-TGN

REV A