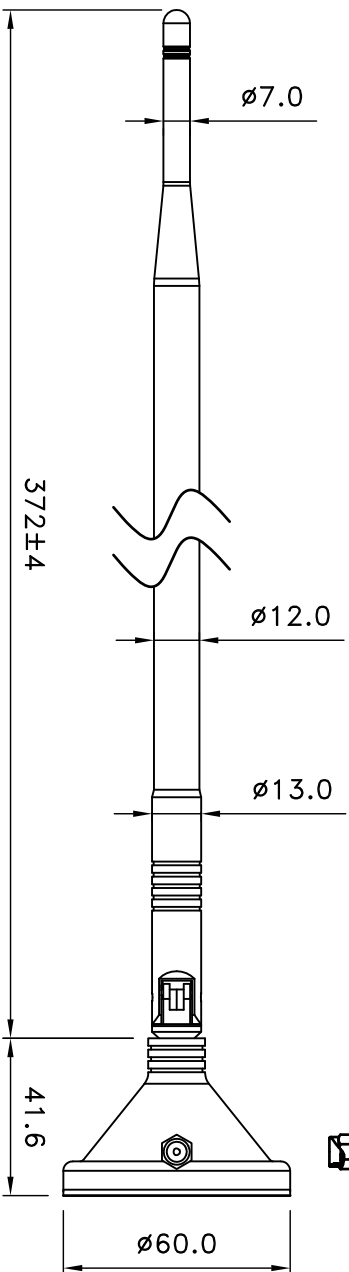
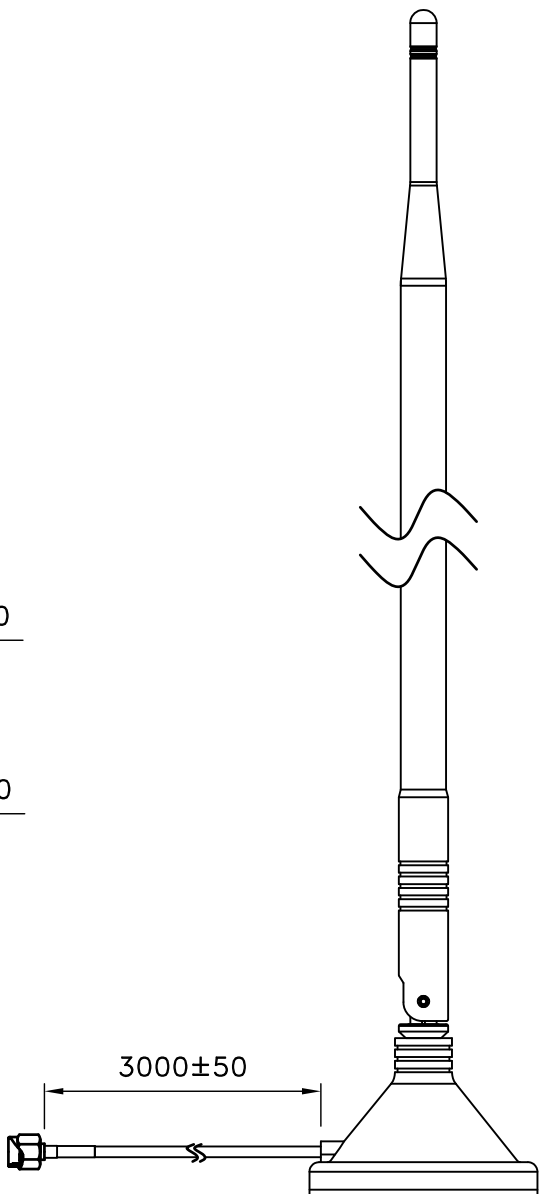


REV	DATE	DESCRIPTION	DRAWN
1			



NO	DESCRIPTION	MATERIAL	FINISH	Q'ty
3	9dBi Dipole	ABS	BLACK	1
2	RG174			1
1	RP SMA MALE	BRONZE	GOLD	1

NOTE	DIMENSION
1. STRIP ALL BURRS. 2. ALL DIMENSIONS ARE AFTER PLATING. 3. DIAMETERS ON COMMON CENTERS, TO BE CONCENTRIC WITHIN 0.1 T.I.R. 4. CHAMFER 1ST & LAST BREAKS 15°. 5. BREAK ALL CORNERS & EDGES CO.15 MAX.	UNLESS OTHERWISE NOTED TOLERANCES X = ±0.3 O.X = ±0.2 0.XX = ±0.1



華耀科技有限公司
Huua Yao Technologies co.,Ltd

TITLE		DRAWING NO.	
Antenna 9dBi+MAGE BASE+RPSMA		A9BM-10013R174-A3000	
CHECKED	DRAWN	APPROVED	DRAWN DATE
ALICE			10/09/21
	SCALE		UNIT
	1:2		mm