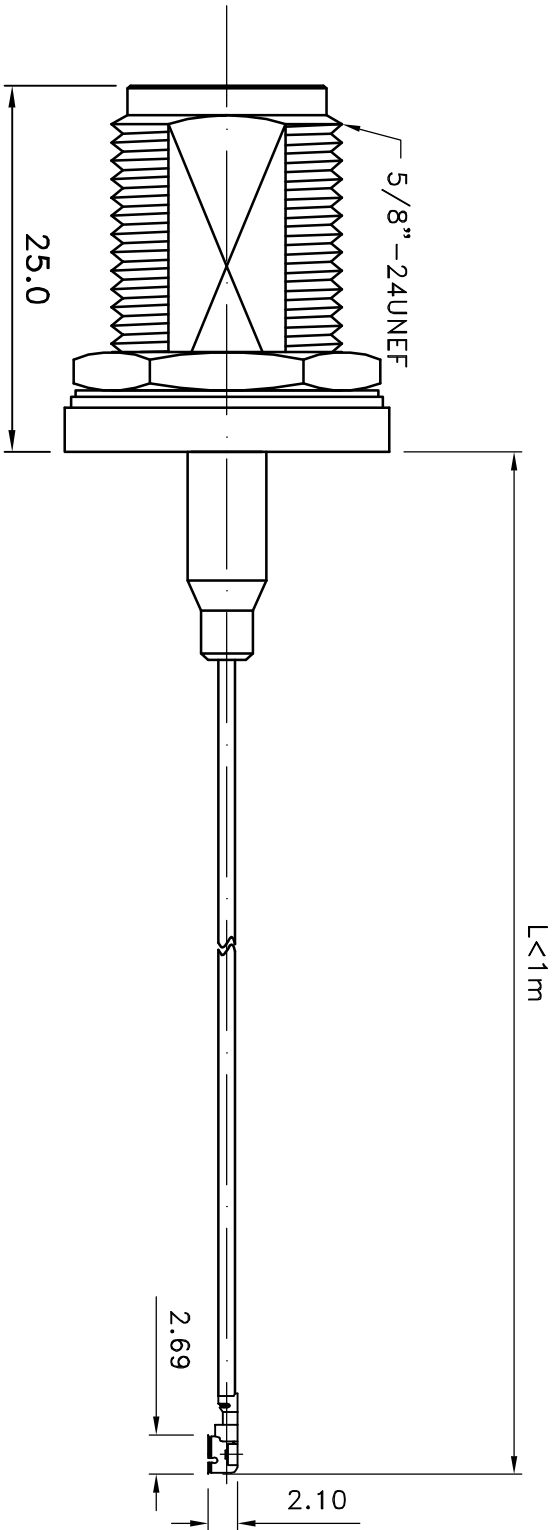


REV	DATE	DESCRIPTION	DRAWN



NO	DESCRIPTION	MATERIAL	FINISH	Q'ty
3	IPEX-2601-1-I-DGG	BRASS	GOLD	1
2	1.13 CABLE			1
1	N-1112-20-I-TGN	BRASS	NICKEL	1

NOTE	DIMENSION
1. STRIP ALL BURRS.	UNLESS OTHERWISE NOTED TOLERANCES
2. ALL DIMENSIONS ARE AFTER PLATING.	0.X=±0.2
3. DIAMETERS ON COMMON CENTERS TO BE CONCENTRIC WITHIN 0.1 T.I.R	0.XX=±0.1
4. CHAMFER 1ST & LAST THREADS 45°	CABLE LENGTH: >1000=+10 <1000=+3
5. BREAK ALL CORNERS & EDGES CO:15 MAX.	-16


華耀科技有限公司
 Hua Yao Technologies co.,Ltd

TITLE	N1112-IPEX2601		
DRAWING NO.	11122011326011-RL		
APPROVED		DRAWN DATE	08/11/26
CHECKED		SCALE	2:1
DRAWN	ALICE	UNIT	mm