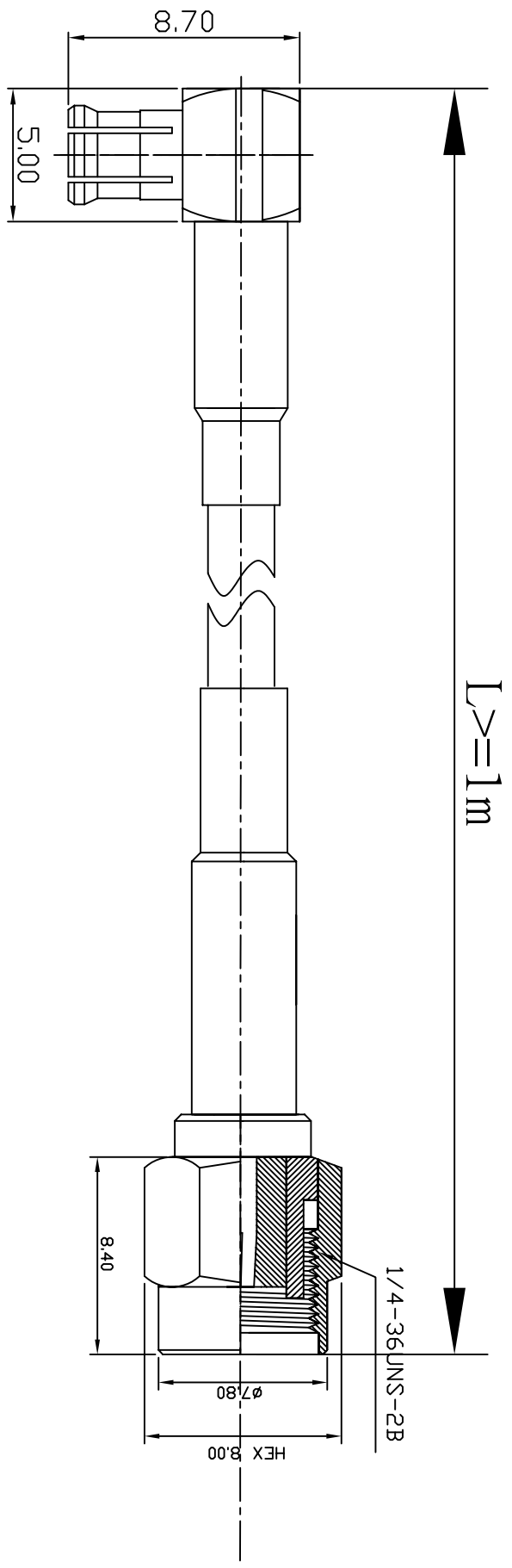


REV	DESCRIPTION	DRAWN	DATE



NO	Description	Qty	Material	Finish
3	SMA-1001-3-RP-L-TGG	1	BRASS	GOLD
2	RG174/RG316/LLC100	1		
1	MCX-902-1-L-TGG	1	BRASS	GOLD

UNLESS OTHERWISE SPECIFIED		*MAJOR DIMENSION	
1 REMOVE ALL BURRS		UNLESS OTHERWISE	
2 BREAK ALL CORNERS & EDGES CO.15 MAX.		NOTED TOLERANCES	
3 CHAMFER 1ST & LAST THREADS 45°		0.5-6=±0.2	
4 DIAMETERS ON COMMON CENTERS		6-30=±0.4	
5 ALL DIMENSIONS ARE AFTER PLATING.		30-120=±0.6	
		120-315=±1.0	
		ANGLES=±1°	

APPROVED	CHECKED	DRAWN	DRAWN DATE
		PEN	08/11/04

華耀科技有限公司 <i>Hua Yao Technologies co.,Ltd</i>	
TITLE	MCX902-SMA1001
DRAWING NO.	9021/174/316/100/10013R-AL
REV	A
FILE NO.	D:\DWG\MCX902-SMA1001\9021/174/316/100/10013R-AL