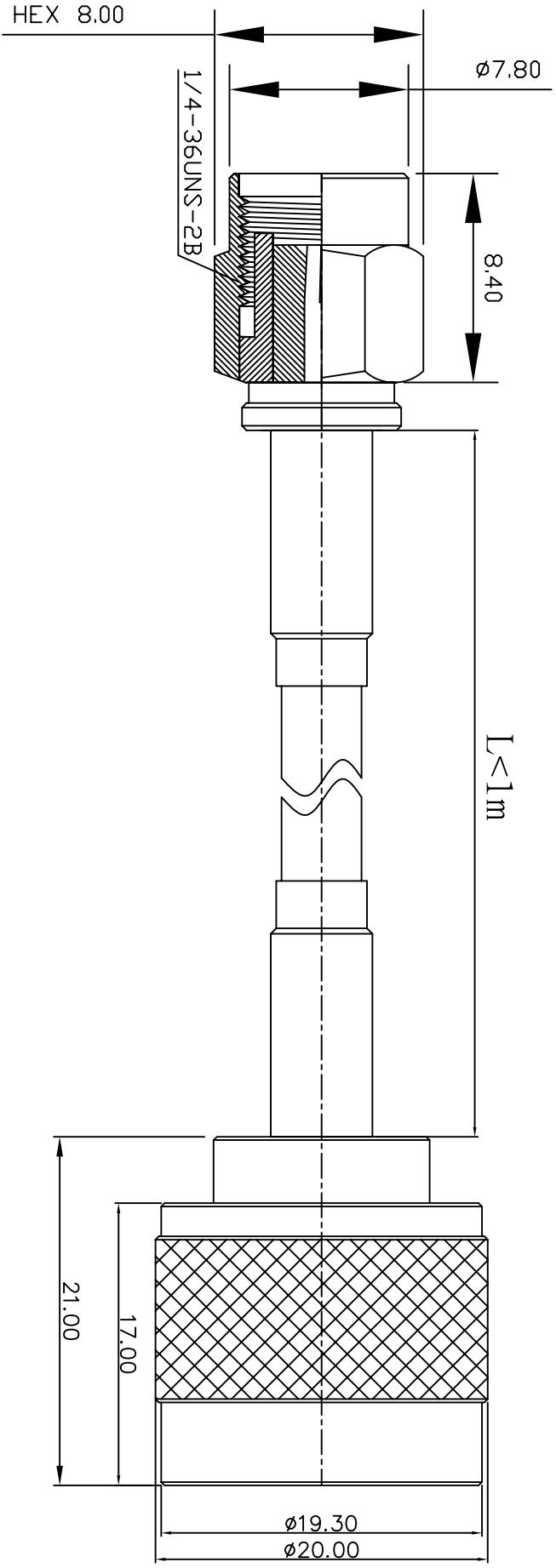


REV	DESCRIPTION	DRAWN	DATE




NO	Description	Qty	Material	Finish
3	N-1101-6-F2-TGN	1	BRASS	NICKEL
2	LLC200/RG58	1		
1	SMA-1001-6-F-RP-TGG	1	BRASS	GOLD

UNLESS OTHERWISE SPECIFIED  
 1 REMOVE ALL BURRS  
 2 BREAK ALL CORNERS & EDGES CO.15 MAX.  
 3 CHAMFER 15° & LAST THREADS 45°.  
 4 DIAMETERS ON COMMON CENTERS TO BE CONCENTRIC WITH DIMENSIONS ARE AFTER PLATING.

SCALE	UNIT	MM
3/1	MM	

APPROVED	CHECKED	DRAWN	DRAWN DATE
		PEN	04/09/29

  
**華耀科技有限公司**  
 Hua Yao Technologies co.,Ltd

TITLE: SMA1001-N1101  
 DRAWING NO: 10016R/200/58/11016-1L  
 FILE NO. D:\DVG\SMA1001-N1101\10016R/200/58/11016-1L

REV: A