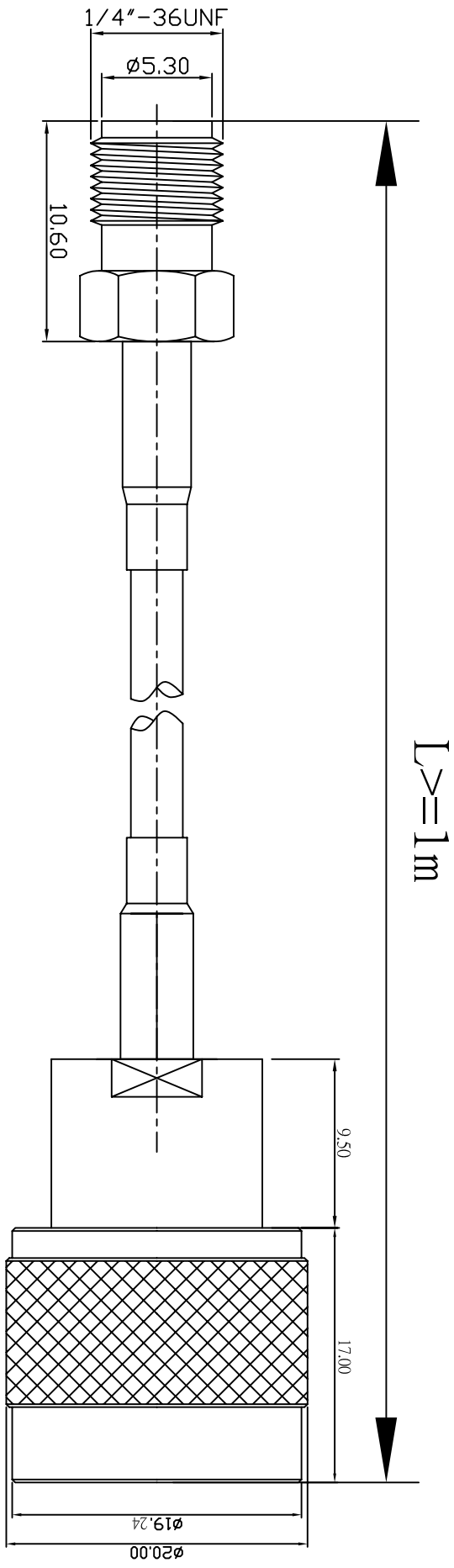


REV	DESCRIPTION	DRAWN	DATE



NO	Description	Qty	Material	Finish
3	N-1158-2-L-TGN	1	BRASS	GOLD
2	RG174/RG316/LLC100	1		
1	SMA-1011-1-L-TGC	1	BRASS	GOLD

UNLESS OTHERWISE SPECIFIED		*MAJOR DIMENSION		APPROVED	
1 REMOVE ALL BURRS		UNLESS OTHERWISE		CHECKED	
2 BREAK ALL CORNERS & EDGES CO.15 MAX.		NOTED TOLERANCES		DRAWN	
3 CHAMFER 1ST & LAST THREADS 45°		0.5-6 = ±0.2		ARNO	
4 DIAMETERS ON COMMON CENTERS TO BE CONCENTRIC WITH DIMENSIONS ARE AFTER PLATING.		6-30 = ±0.4		DRAWN DATE 03/06/23	
		30-120 = ±0.6		FILE NO. D:\DWG\SMA1011-N1158\11582\174\316\100\10111-AL	
		120-315 = ±1.0		DRAWING NO. SMA1011-N1158	
		ANGLES = ±1°		TITLE	
				Hua Yao Technologies co.,Ltd	
				REV A	