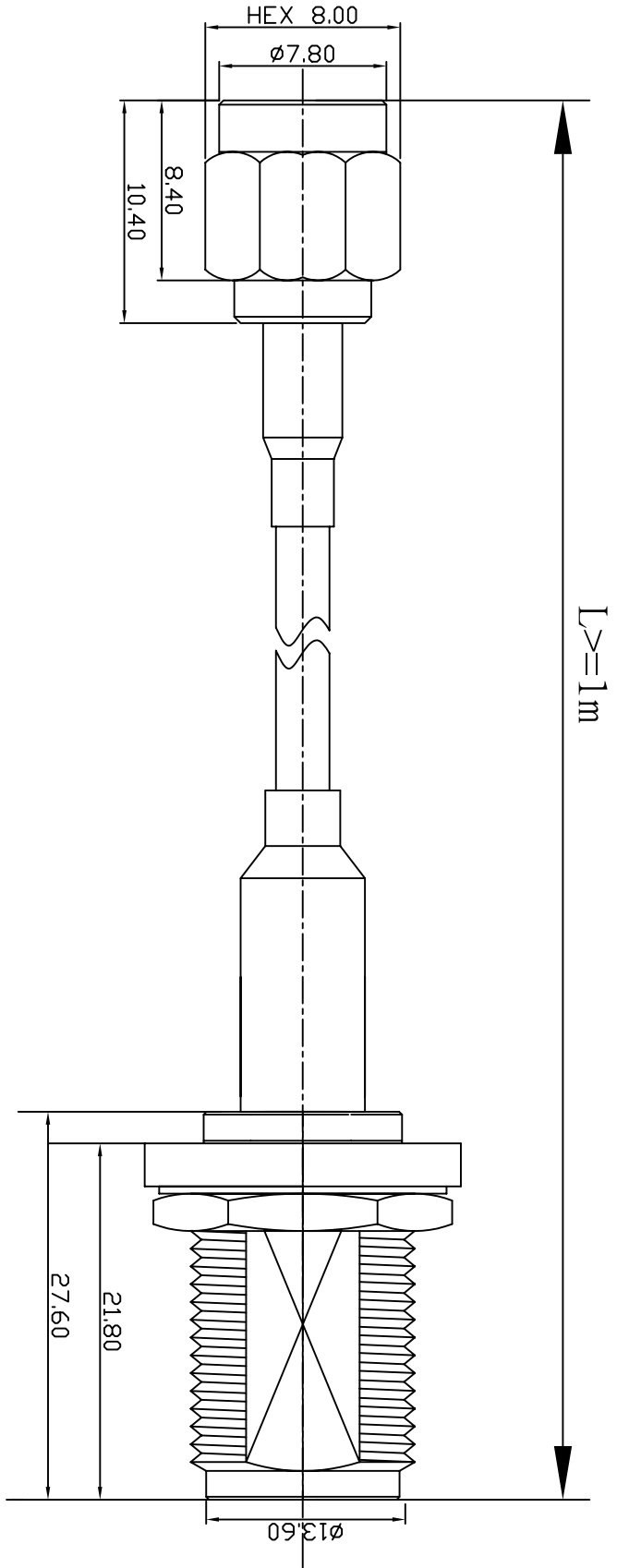


| REV | DESCRIPTION | DRAWN | DATE |
|-----|-------------|-------|------|
|     |             |       |      |
|     |             |       |      |



| NO | Description       | Qty | Material | Finish |
|----|-------------------|-----|----------|--------|
| 3  | N-1159-1-L-TGN    | 1   | BRASS    | NICKEL |
| 2  | Rg174/Rg316/LC100 | 1   |          |        |
| 1  | SMA-1001-4-L-TGG  | 1   | BRASS    | GOLD   |

|  |  |                  |  |   |  |
|--|--|------------------|--|---|--|
| UNLESS OTHERWISE SPECIFIED             |  | *MAJOR DIMENSION |  | APPROVED  |  |
| 1 REMOVE ALL BURRS                     |  | UNLESS OTHERWISE |  | CHECKED   |  |
| 2 BREAK ALL CORNERS & EDGES CO.15 MAX. |  | NOTED TOLERANCES |  | DRAWN   |  |
| 3 CHAMFER 1ST & LAST THREADS 45°       |  | 0.5-6=±0.2       |  | PEN   |  |
| 4 DIAMETERS ON COMMON CENTERS          |  | 6-30=±0.4        |  | DRAWN DATE 04/09/29                                   |  |
| 5. ALL DIMENSIONS ARE AFTER PLATING.   |  | 30-120=±0.6      |  | FILE NDD\DWG\SMA1001-N1159\10014\174\316\100\11591-AL |  |
|  |  | 120-315=±1.0     |  | TITLE   |  |
|  |  | ANGLES=±1°       |  | SMA1001-N1159   |  |
|  |  |                  |  | DRAWING NO.   |  |
|  |  |                  |  | 10014/174/316/100/11591-AL                            |  |
|  |  |                  |  | REV   |  |
|  |  |                  |  | A   |  |


**華耀科技有限公司**  
 Hua Yao Technologies co.,Ltd