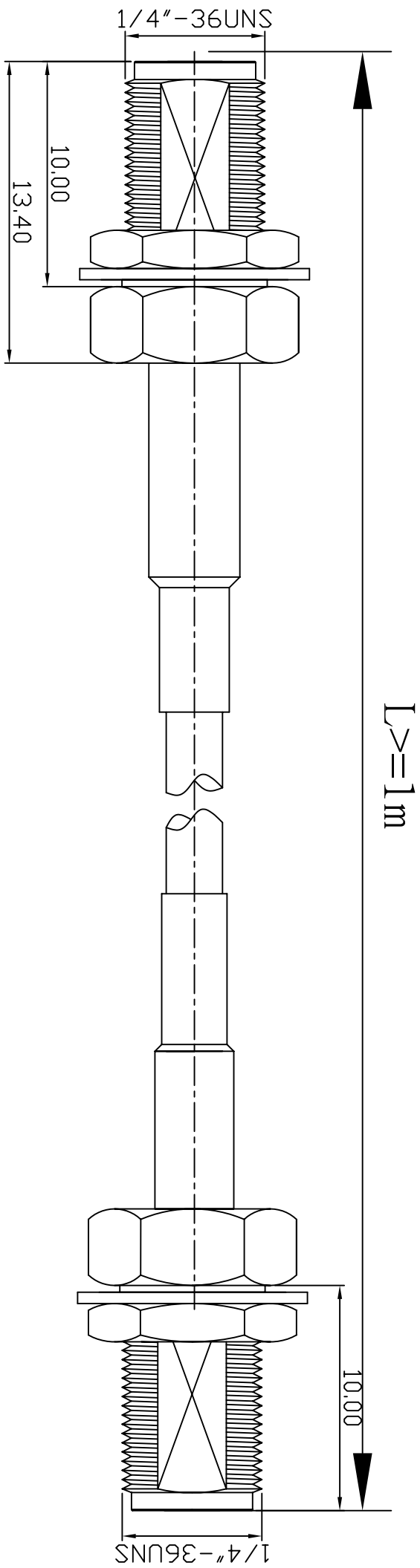



REV	DESCRIPTION	DRAWN	DATE



L >= 1 m

NO	Description	Qty	Material	Finish
3	SMA-1012-7-L-TGG	1	BRASS	GOLD
2	RG174/RG316/LLC100	1		
1	SMA-1012-7-L-TGG	1	BRASS	GOLD

UNLESS OTHERWISE SPECIFIED		*MAJOR DIMENSION		APPROVED	
1 REMOVE ALL BURRS		UNLESS OTHERWISE		CHECKED	
2 BREAK ALL CORNERS & EDGES CO.15 MAX.		NOTED TOLERANCES		DRAWN	
3 CHAMFER 1ST & LAST THREADS 45°		0.5-6=±0.2		ARNO	
4 DIAMETERS ON COMMON CENTERS TO BE CONCENTRIC WITH DIMENSIONS ARE		6-30=±0.4		DRAWN DATE 03/06/21	
5 AFTER PLATING		30-120=±0.6		FILE NO. \D\DWG\SMA1012-SMA1012-12127/174/316/100/10127-AL	
SCALE	4/1	UNIT	MM	TITLE	
120-315=±1.0				SMA1012-SMA1012	
ANGLES=±1°				DRAWING NO. 12127/174/316/100/10127-AL	
				REV A	


華耀科技有限公司
 Hua Yao Technologies co.,Ltd