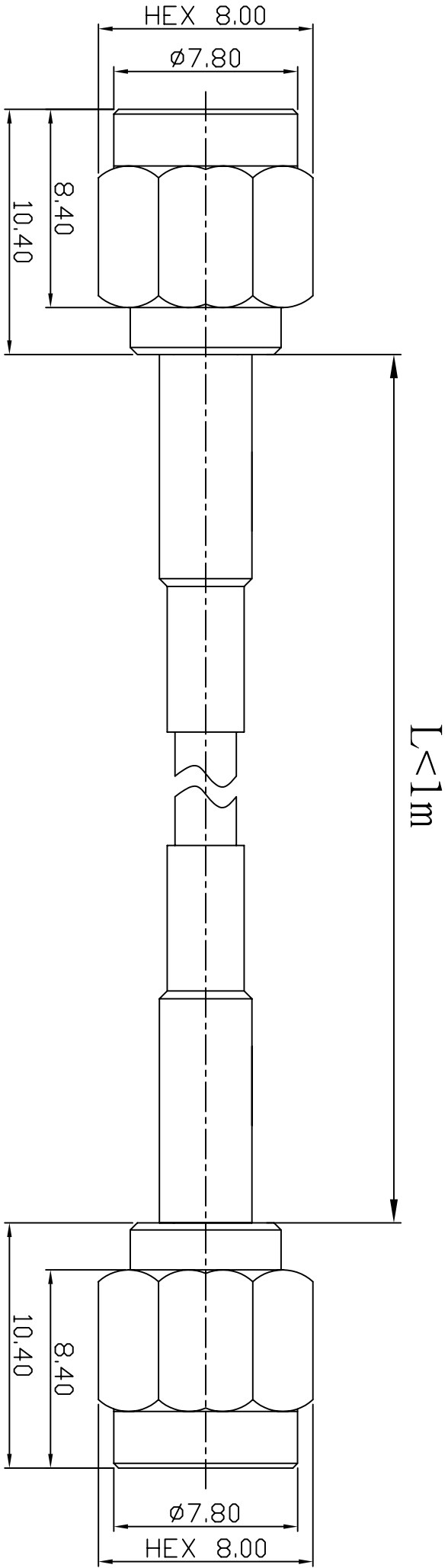


REV	DESCRIPTION	DRAWN	DATE



NO	Description	Qty	Material	Finish
3	SMA-1001-4-L-TGG	1	BRASS	GOLD
2	RG174/RG316/LLC100	1		
1	SMA-1001-4-L-TGG	1	BRASS	GOLD

UNLESS OTHERWISE SPECIFIED		*MAJOR DIMENSION	
1 REMOVE ALL BURRS		UNLESS OTHERWISE	
2 BREAK ALL CORNERS & EDGES CO.15 MAX.		NOTED TOLERANCES	
3 CHAMFER 1ST & LAST THREADS 45°		0.5-6=±0.2	
4 DIAMETERS ON COMMON CENTERS		6-30=±0.4	
5 ALL DIMENSIONS ARE AFTER PLATING.		30-120=±0.6	
		120-315=±1.0	
		ANGLES=±1°	

APPROVED		DRAWN	
CHECKED		CHAI	
DRAWN		DATE 04/03/23	

		<b>華耀科技有限公司</b> <b>Hua Yao Technologies co.,Ltd</b>	
TITLE		SMA1001-SMA1001	
DRAWING NO.		10014/174/316/100/10014-IL	
FILE NO.D:\DWG\SMA1001-SMA1001\10014/174/316/100/10014-IL		REV A	