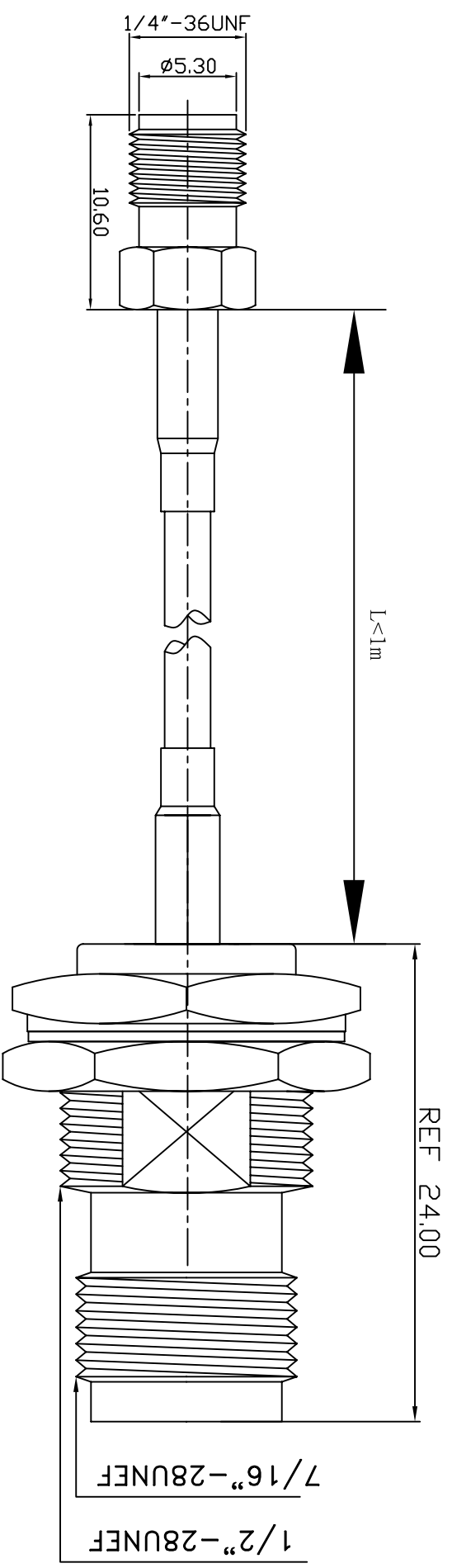


REV	DESCRIPTION	DRAWN	DATE



NO	Description	Qty	Material	Finish
3	TNC-1514-2-L-TGN	1	BRASS	GOLD
2	RG174/RG316/LLC100	1		
1	SMA-1011-1-L-TGC	1	BRASS	GOLD

UNLESS OTHERWISE SPECIFIED		*MAJOR DIMENSION		APPROVED	
1 REMOVE ALL BURRS		UNLESS OTHERWISE		CHECKED	
2 BREAK ALL CORNERS & EDGES CO.15 MAX.		NOTED TOLERANCES		DRAWN	
3 CHAMFER 15° & LAST THREADS 45°		0.5-6=±0.2		ARNO	
4 DIAMETERS ON COMMON CENTERS		6-30=±0.4		DRAWN DATE 03/06/23	
5 ALL DIMENSIONS ARE AFTER PLATING.		120-315=±1.0		FILE NO. D:\DWG\SMA1011-TNC1514\15142\174\316\100\10111-IL	
SCALE	4/1	UNIT	MM	TITLE	
				SMA1011-TNC1514	
				DRAWING NO.	
				15142/174/316/100/10111-IL	
				REV	A


華耀科技有限公司
 Hua Yao Technologies co.,Ltd