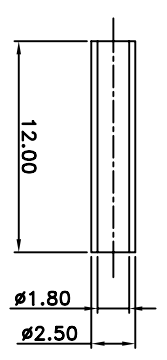
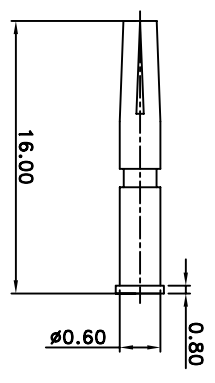
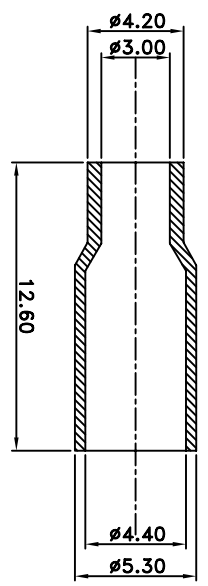
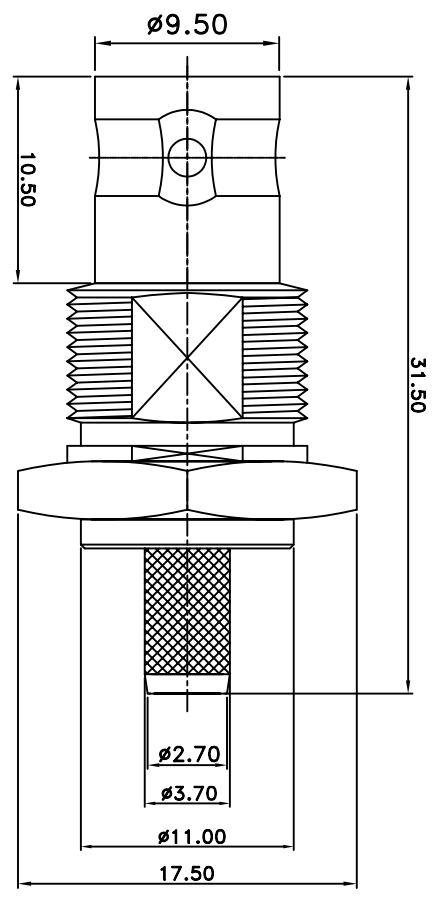
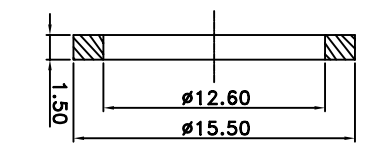
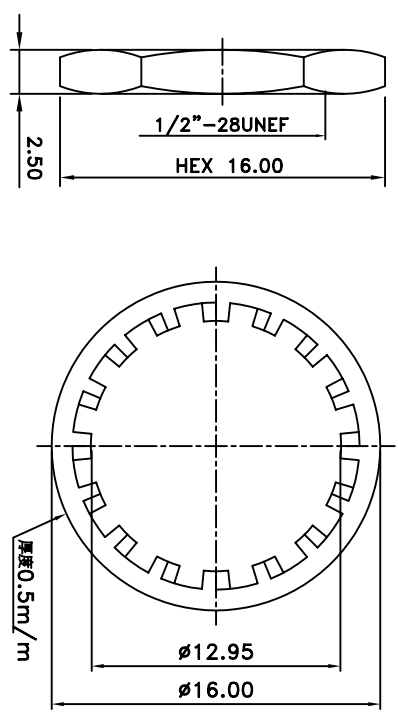


REV	DESCRIPTION	DRAWN	DATE



NO	Description	Qty	Material	Finish	UNLESS OTHERWISE SPECIFIED	* MAJOR DIMENSION	APPROVED	TITLE	FILE NO.
7	Nut(N-001)	1	Brass	Nickel	1 REMOVE ALL BURRS 2 BREAK ALL CORNERS & EDGES CO.15 MAX. 3 CHAMFER 15° & LAST THREADS 45°. 4 DIAMETERS ON COMMON CENTERS. 5 ALL DIMENSIONS ARE WITHIN DIMENSIONS ARE AFTER PLATING.	UNLESS OTHERWISE NOTED TOLERANCES 0.5-6=±0.2 6-30=±0.4 30-120=±0.6 120-315=±1.0 ANGLES=±1°	CHECKED	BNC FEMALE BULKHEAD CRIMP 500HM	DRAWING NO.
6	Washer(W-002)	1	Iron	Nickel			DRAWN	FILE NO. D:\DWG\BNC FEMALE BULKHEAD CRIMP 500HM\BNC-1314-1-1-10N	
5	Ferrule(F-023)	1	Brass	Nickel			PEN		
4	Dielectric	1	Teflon	None					
3	Pin(C-02012)	1	Phosphor	Gold					
2	Body(B-02008)	1	Brass	Nickel			華耀科技有限公司 Hua Yao Technologies co.,Ltd	REV	
1	Body(B-02015)	1	Brass	Nickel			A		