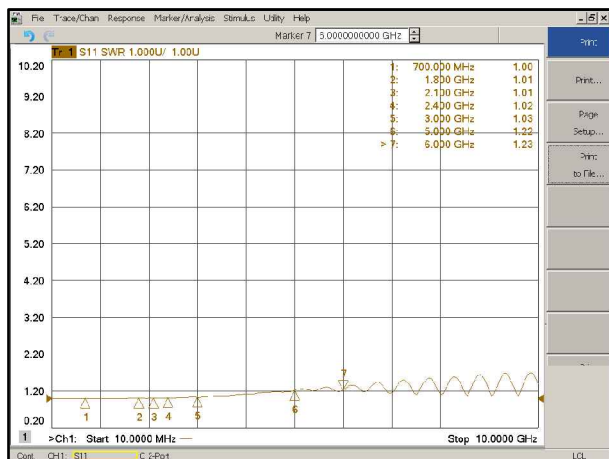
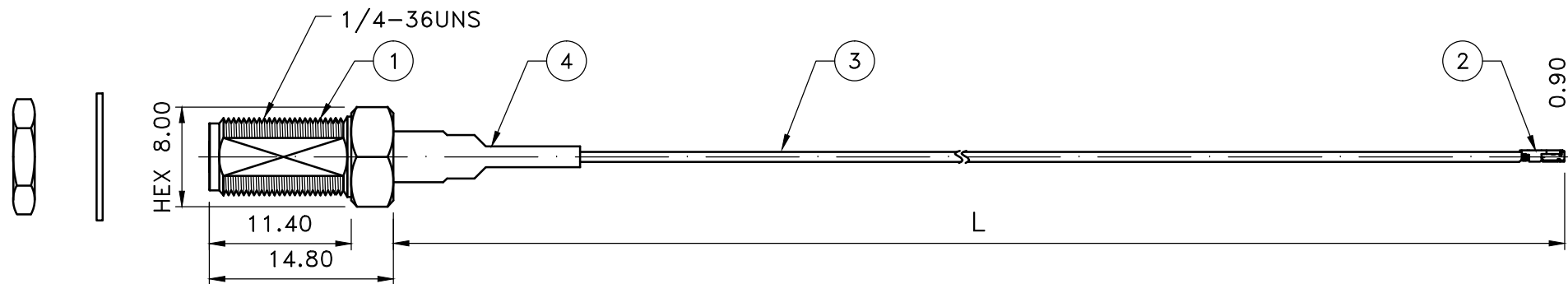


REV	DATE	DESCRIPTION	DRAWN



Prohibit re-circulating

**NOTE:**

- 1.SMA FEMALE BULKHEAD  
 CENTER PIN GOLD PLATING 20 $\mu$  THICK OVER NICKEL STRIKE  
 BODY GOLD PLATING 3 $\mu$  THICK OVER NICKEL STRIKE  
 BRASS AND PTFE PER SGS  
 PTFE : TOMBO No.9002  
 FINISH PLATING THICKNESS IN MICRO-INCHES  
 COPPER PARTS AUTOMATIC CNC MANUFACTURING
- 2.1-PEX MHF 4  
 CENTER PIN GOLD PLATING 0.1 $\mu$  THICK OVER NICKEL STRIKE  
 BODY GOLD PLATING 0.05 $\mu$  THICK OVER NICKEL STRIKE  
 LCP UL94V-0  
 PHOSPHOR BRONZE PER QQ-C-750  
 FINISH PLATING THICKNESS IN MICRO-INCHES  
 BRONZE PARTS AUTOMATIC CNC MANUFACTURING
- 3.Ø.81mm 36AWG COAXIAL CABLE  
 ATTENUATION : 4.7dB/m@2GHz 5.8dB/m@3GHz 8.5dB/m@6GHz  
 CONDUCTOR : SILVER-COATED COPPER/Ø0.15mm  
 INSULATION : PFA/Ø0.41mm  
 SHIELD : SILVER-COATED COPPER/8\*5\*0.05mm  
 JACKET : PFA/Ø0.81mm



**華耀科技有限公司**  
*Hwa Yao Technologies co.,Ltd*

NOTE	DIMENSION	TITLE		
1.STRIP ALL BURRS. 2.ALL DIMENSIONS ARE AFTER PLATING. 3.DIAMETERS ON COMMON CENTERS. TO BE CONCENTRIC WITHIN 0.1 T.I.R 4.CHAMFER 1ST & LAST THREADS 45° 5.BREAK ALL CONNERS & EDGES CO.15 MAX.	UNLESS OTHERWISE NOTED TOLERANCES 0.X=±0.2 0.XX=±0.1 CABLE LENGTH: L ≥ 10000 = +50 1000 ≤ L < 10000 = ±30 L < 1000 = ±8 0	SMA1012-IPEX2602		
		APPROVED	DRAWN DATE 02/10/14	
		CHECKED	SCALE 2:1	
		DRAWN	UNIT mm	
		ALICE		