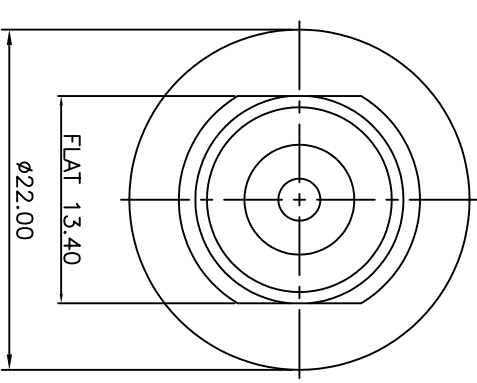
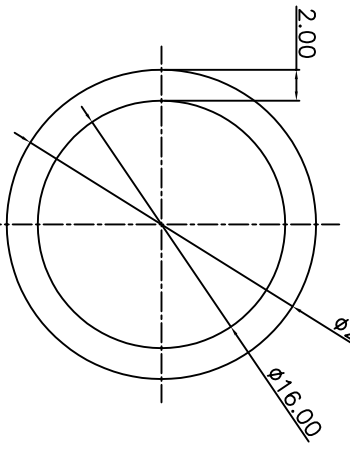
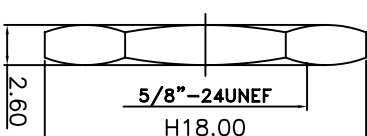
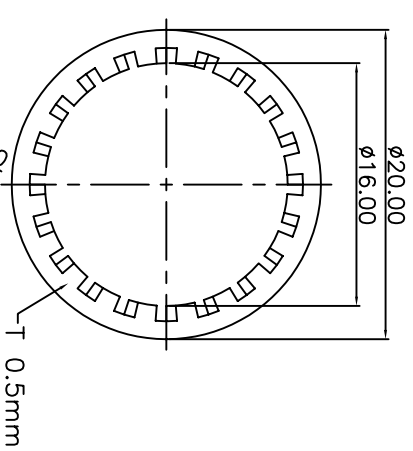
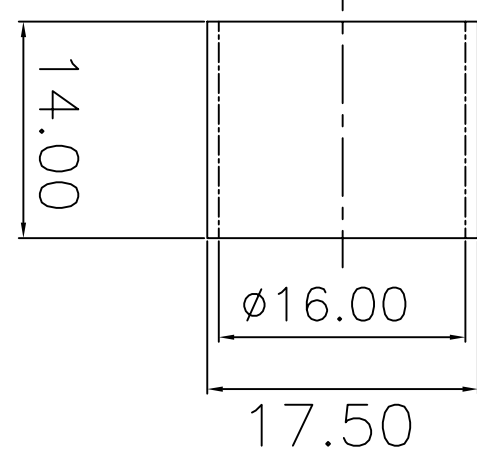
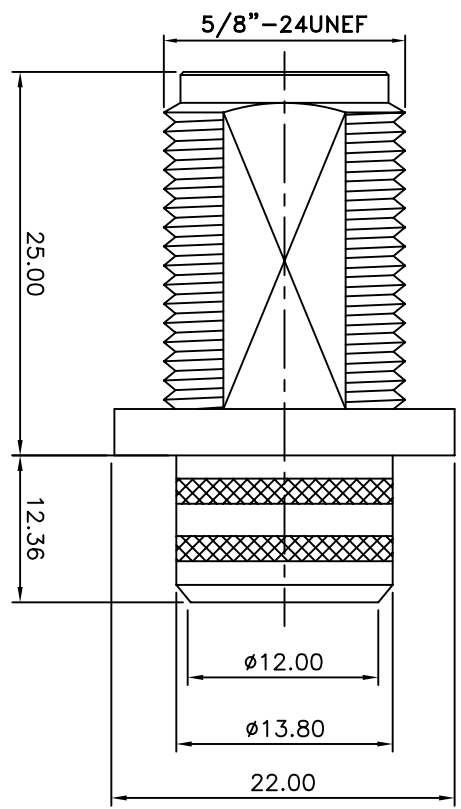
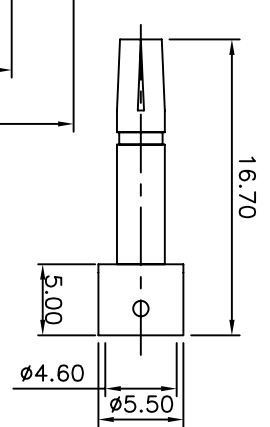


REV	DESCRIPTION	DRAWN	DATE




NO	Description	Qty	Material	Finish
11	CAP	1	BRASS	NICKEL
10	WASHER	1	BRASS	NICKEL
9	FERRULE	1	DELIN	NONE
8	FERRULE	1	BRASS	NICKEL
7	GASKET	1	SI-RUBBER	RED
6	SLEEVE	1	BRASS	NICKEL
5	DIELECTRIC	1	TEFLON	NONE
4	DIELECTRIC	1	TEFLON	NONE
3	PIN	1	BRASS	GOLD
2	BODY	1	BRASS	NICKEL
1	BODY	1	BRASS	NICKEL

UNLESS OTHERWISE SPECIFIED  
 1.REMOVE ALL BURRS  
 2.BREAK ALL CORNERS & EDGES CO.15 MAX.  
 3.CHAMFER 15° & LAST THREADS 45°.  
 4.DIAMETERS ON COMMON CENTERS.  
 5.ALL DIMENSIONS ARE WITHIN TOLERANCES AFTER PLATING.

\* MAJOR DIMENSION UNLESS OTHERWISE NOTED TOLERANCES  
 0.5-6=±0.2  
 6-30=±0.4  
 30-120=±0.6  
 120-315=±1.0  
 ANGLES=±1°

APPROVED  
 CHECKED  
 DRAWN Betty  
 DRAWN DATE 06/12/21


**華耀科技有限公司**  
 Hua Yao Technologies co.,Ltd  
 TITLE N FEMALE BULKHEAD FOR LMR600  
 DRAWING NO. N-1112-26-V-TGN  
 FILE NO.D:\DWG\N FEMALE BULKHEAD FOR LMR600\N-1112-26-V-TGN  
 REV A  
 GL