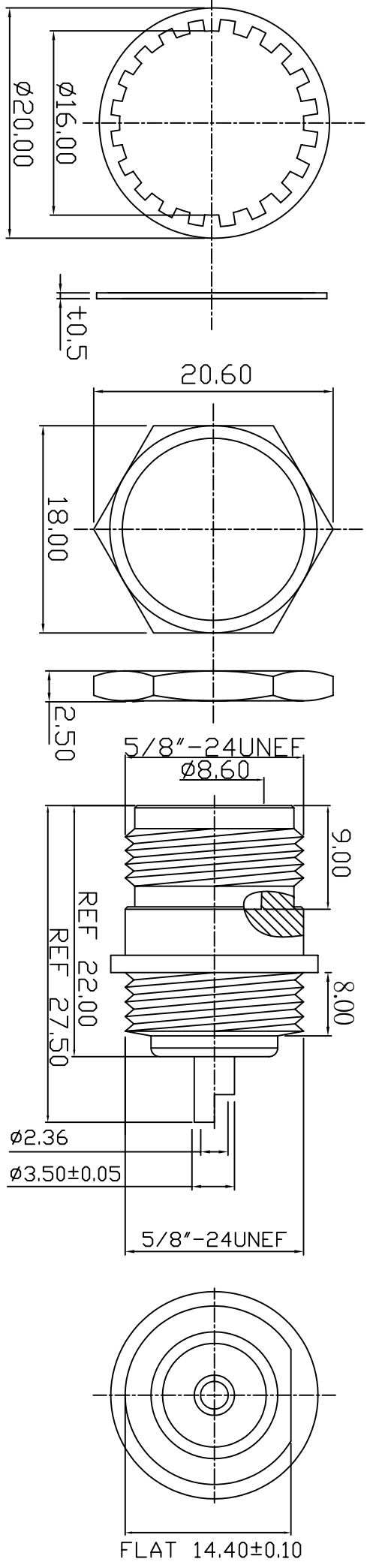


REV	DESCRIPTION	DRAWN	DATE




NO	Description	Qty	Material	Finish
5	NUT	1	BRASS	NICKEL
4	WASHER	1	BRASS	NICKEL
3	DIELECTRIC	1	TEFLON	NONE
2	PIN	1	BRASS	GOLD
1	BODY	1	BRASS	NICKEL

UNLESS OTHERWISE SPECIFIED
 1.REMOVE ALL BURRS
 2.BREAK ALL CORNERS & EDGES CO.1.5 MAX.
 3.CHAMFER 1:1 & LAST THREADS 45°.
 4.DIAMETERS ON COMMON CENTERS.
 5.ALL DIMENSIONS ARE AFTER PLATING.

*MAJOR DIMENSION
 UNLESS OTHERWISE NOTED TOLERANCES
 0.5-6=±0.2
 6-30=±0.4
 30-120=±0.6
 120-315=±1.0
 ANGLES=±1°

SCALE	4/1	UNIT	MM	DRAWN	DATE	07/01/11
APPROVED	CHECKED	DRAWN	Betty			


華耀科技有限公司
Hua Yao Technologies co.,Ltd

TITLE: N FEMALE SOLDER TYPE BULKHEAD
 DRAWING NO: N-1118-2-L-TGN
 REV: A

FILE NO. DRAWING FEMALE SOLDER TYPE BULKHEAD-N-118-2-L-TGN