

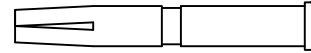
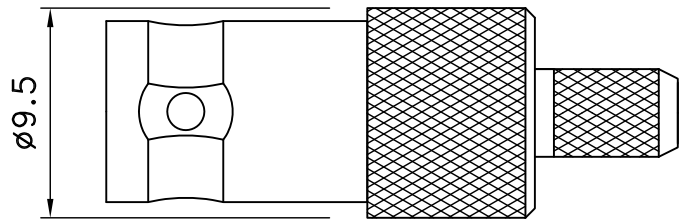
NOTE:

CENTER PIN GOLD PLATING 3μ THICK OVER NICKEL PLATING 70μ
 THICK OVER NICKEL STRIKE
 BODY NICKEL PLATING 70μ THICK OVER NICKEL STRIKE
 BRASS AND PTFE PER SGS
 FINISH PLATING THICKNESS IN MICRO-INCHES
 COPPER PARTS AUTOMATIC CNC MANUFACTURING

Prohibit re-circulating



	華耀科技有限公司 <i>Hwa Yao Technologies co.,Ltd</i>
	TITLE BNC MALE CRIMP
	DRAWING NO. BNC-1301



NOTE:

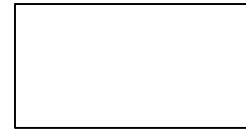
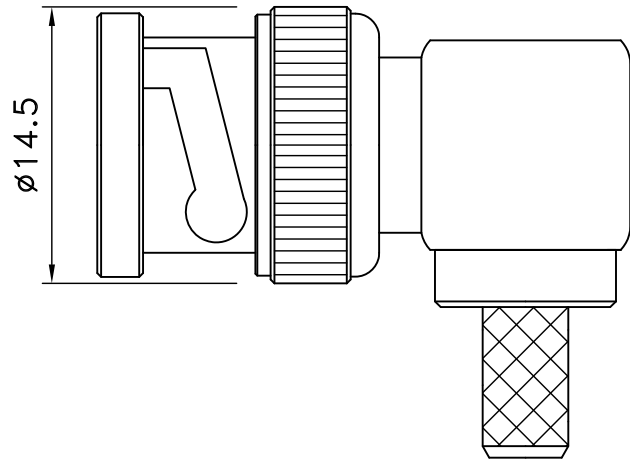
CENTER PIN GOLD PLATING 3 μ THICK OVER NICKEL PLATING 70 μ
 THICK OVER NICKEL STRIKE
 BODY NICKEL PLATING 70 μ THICK OVER NICKEL STRIKE
 BRASS AND PTFE PER SGS
 FINISH PLATING THICKNESS IN MICRO-INCHES
 COPPER PARTS AUTOMATIC CNC MANUFACTURING

Prohibit re-circulating



華耀科技有限公司
 Hwa Yao Technologies co.,Ltd

TITLE
 BNC FEMALE CRIMP
 DRAWING NO.
 BNC-1511



NOTE:

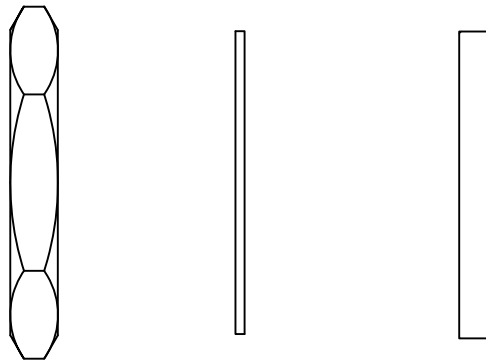
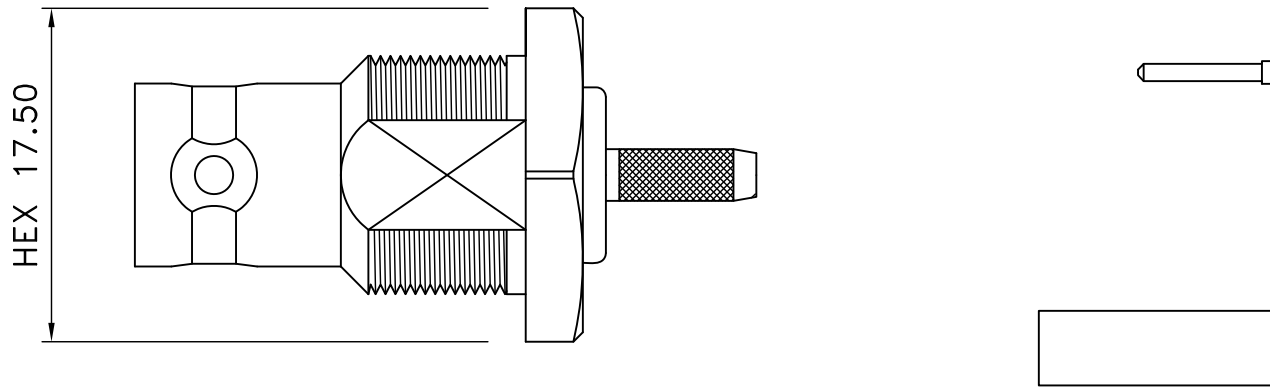
CENTER PIN GOLD PLATING 3 μ THICK OVER NICKEL PLATING 70 μ
 THICK OVER NICKEL STRIKE
 BODY NICKEL PLATING 70 μ THICK OVER NICKEL STRIKE
 BRASS AND PTFE PER SGS
 FINISH PLATING THICKNESS IN MICRO-INCHES
 COPPER PARTS AUTOMATIC CNC MANUFACTURING

Prohibit re-circulating



華耀科技有限公司
 Hwa Yao Technologies co.,Ltd

TITLE
 BNC MALE RIGHT ANGLE CRIMP
 DRAWING NO.
 BNC-1309



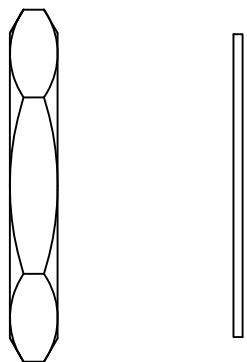
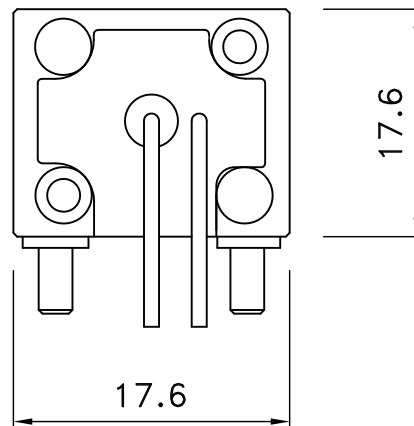
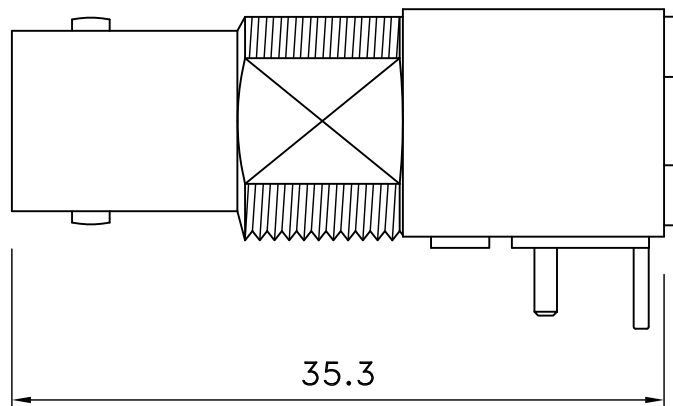
NOTE:

CENTER PIN GOLD PLATING 3μ THICK OVER NICKEL PLATING 70μ
 THICK OVER NICKEL STRIKE
 BODY NICKEL PLATING 70μ THICK OVER NICKEL STRIKE
 BRASS AND PTFE PER SGS
 FINISH PLATING THICKNESS IN MICRO-INCHES
 COPPER PARTS AUTOMATIC CNC MANUFACTURING

Prohibit re-circulating



	華耀科技有限公司 Hwa Yao Technologies co.,Ltd
TITLE BNC FEMALE BULKHEAD CRIMP	
DRAWING NO. BNC-1314	



NOTE:

CENTER PIN GOLD PLATING 3μ THICK OVER NICKEL PLATING 70μ
 THICK OVER NICKEL STRIKE
 BODY NICKEL PLATING 70μ THICK OVER NICKEL STRIKE
 BRASS AND PTFE PER SGS
 FINISH PLATING THICKNESS IN MICRO-INCHES
 COPPER PARTS AUTOMATIC CNC MANUFACTURING

Prohibit re-circulating



華耀科技有限公司
 Hwa Yao Technologies co.,Ltd

TITLE
 BNC FEMALE RIGHT ANGLE PANEL MOUNT
 DRAWING NO.
 BNC-1320