

NOTE:

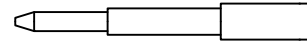
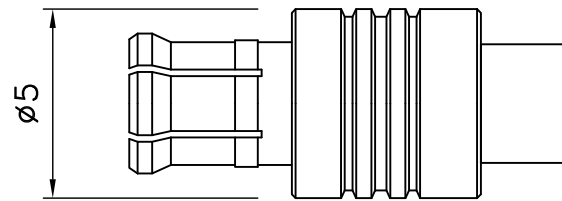
CENTER PIN GOLD PLATING 20 μ THICK OVER NICKEL PLATING 70 μ
 THICK OVER NICKEL STRIKE
 BODY GOLD PLATING 3 μ THICK OVER NICKEL PLATING 80 μ THICK
 OVER NICKEL STRIKE
 BRASS AND PTFE PER SGS
 FINISH PLATING THICKNESS IN MICRO-INCHES
 COPPER PARTS AUTOMATIC CNC MANUFACTURING

Prohibit re-circulating



華耀科技有限公司
 Hwa Yao Technologies co.,Ltd

TITLE
 MCX MALE CRIMP
 DRAWING NO.
 MCX-901



NOTE:

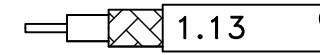
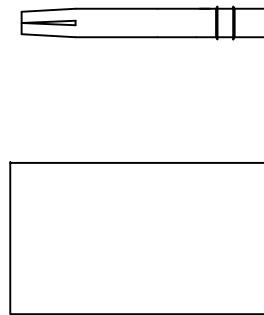
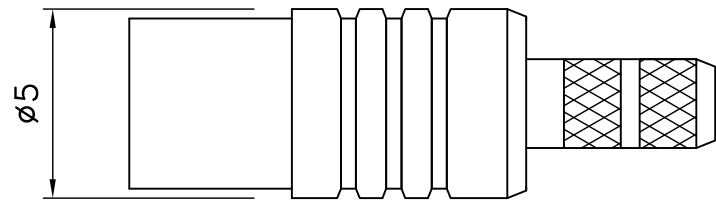
CENTER PIN GOLD PLATING 30 μ THICK OVER NICKEL PLATING 70 μ
 THICK OVER NICKEL STRIKE
 BODY GOLD PLATING 5 μ THICK OVER NICKEL PLATING 80 μ THICK
 OVER NICKEL STRIKE
 BRASS AND PTFE PER SGS
 FINISH PLATING THICKNESS IN MICRO-INCHES
 COPPER PARTS AUTOMATIC CNC MANUFACTURING

Prohibit re-circulating



華耀科技有限公司
 Hwa Yao Technologies co.,Ltd

TITLE	MCX MALE SOLDER
DRAWING NO.	MCX-901



NOTE:

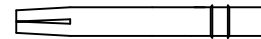
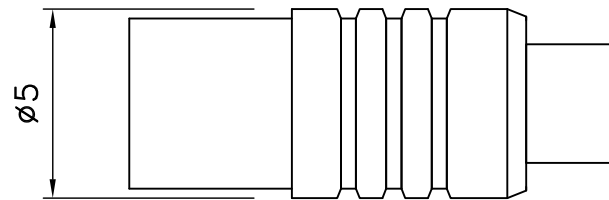
CENTER PIN GOLD PLATING 20 μ THICK OVER NICKEL PLATING 70 μ
 THICK OVER NICKEL STRIKE
 BODY GOLD PLATING 3 μ THICK OVER NICKEL PLATING 80 μ THICK
 OVER NICKEL STRIKE
 BRASS AND PTFE PER SGS
 FINISH PLATING THICKNESS IN MICRO-INCHES
 COPPER PARTS AUTOMATIC CNC MANUFACTURING

Prohibit re-circulating



華耀科技有限公司
 Hwa Yao Technologies co.,Ltd

TITLE
 MCX FEMALE CRIMP
 DRAWING NO.
 MCX-906



NOTE:

CENTER PIN GOLD PLATING 30 μ THICK OVER NICKEL PLATING 70 μ
THICK OVER NICKEL STRIKE
BODY GOLD PLATING 5 μ THICK OVER NICKEL PLATING 80 μ THICK
OVER NICKEL STRIKE
BRASS AND PTFE PER SGS
FINISH PLATING THICKNESS IN MICRO-INCHES
COPPER PARTS AUTOMATIC CNC MANUFACTURING

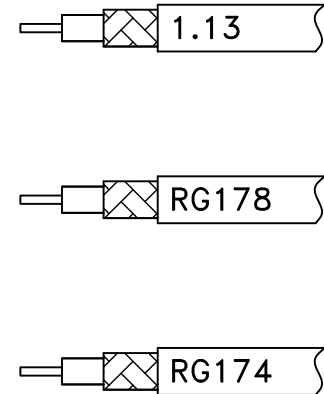
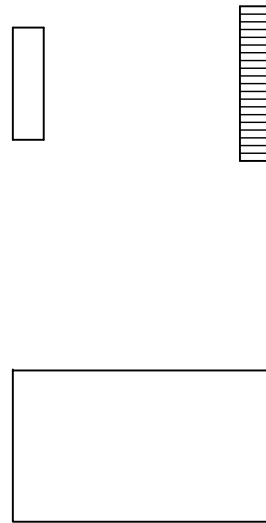
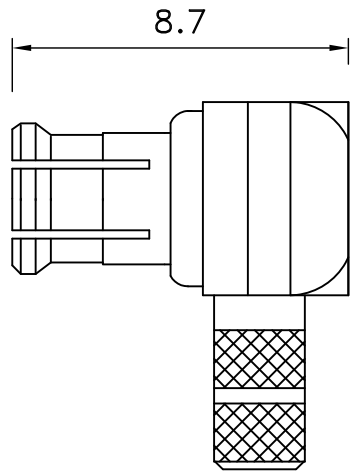
Prohibit re-circulating



華耀科技有限公司
Hwa Yao Technologies co.,Ltd

TITLE
MCX FEMALE SOLDER

DRAWING NO.
MCX-906



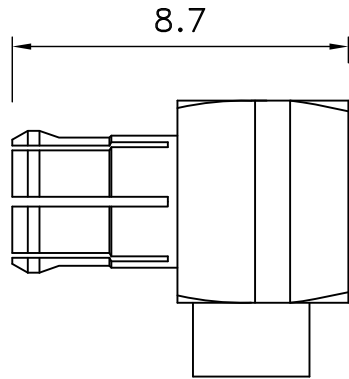
NOTE:

CENTER PIN GOLD PLATING 20μ THICK OVER NICKEL PLATING 70μ
 THICK OVER NICKEL STRIKE
 BODY GOLD PLATING 3μ THICK OVER NICKEL PLATING 80μ THICK
 OVER NICKEL STRIKE
 BRASS AND PTFE PER SGS
 FINISH PLATING THICKNESS IN MICRO-INCHES
 COPPER PARTS AUTOMATIC CNC MANUFACTURING

Prohibit re-circulating



	華耀科技有限公司 Hwa Yao Technologies co.,Ltd
TITLE MCX MALE RIGHT ANGLE CRIMP	
DRAWING NO. MCX-908	



NOTE:

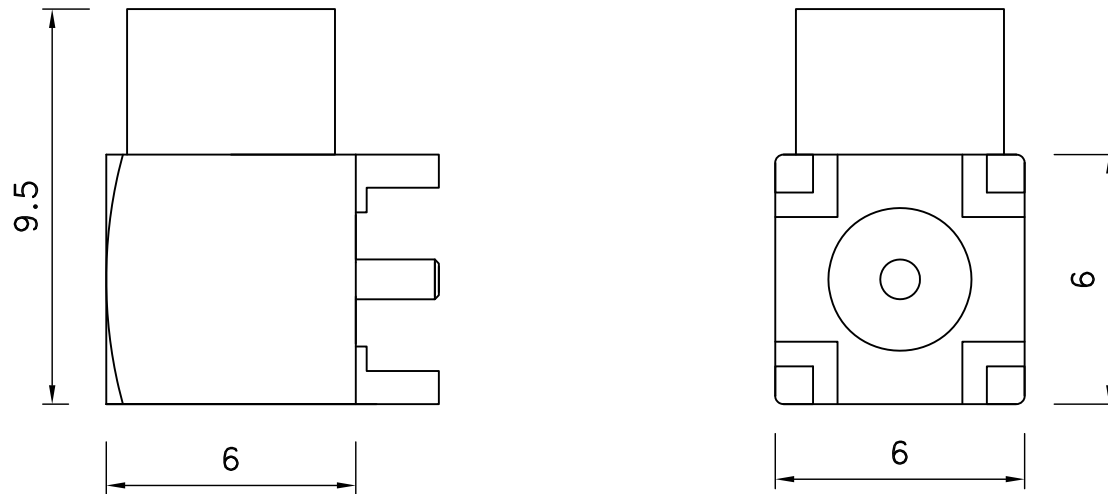
CENTER PIN GOLD PLATING 30 μ THICK OVER NICKEL PLATING 70 μ
 THICK OVER NICKEL STRIKE
 BODY GOLD PLATING 5 μ THICK OVER NICKEL PLATING 80 μ THICK
 OVER NICKEL STRIKE
 BRASS AND PTFE PER SGS
 FINISH PLATING THICKNESS IN MICRO-INCHES
 COPPER PARTS AUTOMATIC CNC MANUFACTURING

Prohibit re-circulating



華耀科技有限公司
 Hwa Yao Technologies co.,Ltd

TITLE	MCX MALE RIGHT ANGLE SOLDER
DRAWING NO.	MCX-908



NOTE:

CENTER PIN GOLD PLATING 20μ THICK OVER NICKEL PLATING 70μ
 THICK OVER NICKEL STRIKE
 BODY GOLD PLATING 3μ THICK OVER NICKEL PLATING 80μ THICK
 OVER NICKEL STRIKE
 BRASS AND PTFE PER SGS
 FINISH PLATING THICKNESS IN MICRO-INCHES
 COPPER PARTS AUTOMATIC CNC MANUFACTURING

Prohibit re-circulating



華耀科技有限公司
 Hwa Yao Technologies co.,Ltd

TITLE	MCX FEMALE RIGHT ANGLE PCB MOUNT
DRAWING NO.	MCX-910