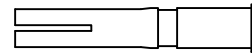
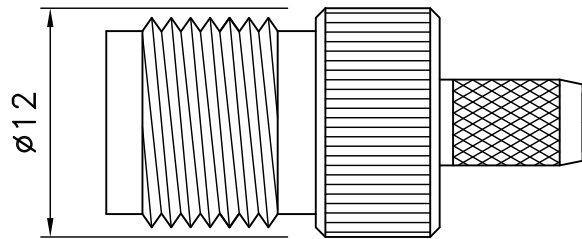


NOTE:
 CENTER PIN GOLD PLATING 3 μ THICK OVER NICKEL PLATING 70 μ
 THICK OVER NICKEL STRIKE
 BODY NICKEL PLATING 70 μ THICK OVER NICKEL STRIKE
 BRASS AND PTFE PER SGS
 FINISH PLATING THICKNESS IN MICRO-INCHES
 COPPER PARTS AUTOMATIC CNC MANUFACTURING

Prohibit re-circulating



	華耀科技有限公司 <i>Hwa Yao Technologies co.,Ltd</i>
	TITLE TNC MALE CRIMP
	DRAWING NO. TNC-1501




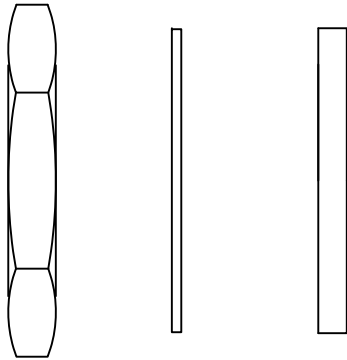
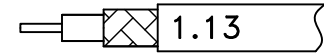
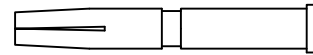
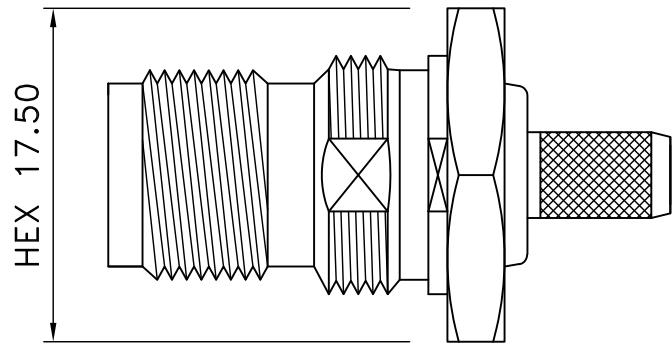
NOTE:

CENTER PIN GOLD PLATING 3μ THICK OVER NICKEL PLATING 70μ
 THICK OVER NICKEL STRIKE
 BODY NICKEL PLATING 70μ THICK OVER NICKEL STRIKE
 BRASS AND PTFE PER SGS
 FINISH PLATING THICKNESS IN MICRO-INCHES
 COPPER PARTS AUTOMATIC CNC MANUFACTURING

Prohibit re-circulating



	華耀科技有限公司 <i>Hwa Yao Technologies co.,Ltd</i>
	TITLE TNC FEMALE CRIMP
	DRAWING NO. TNC-1511



NOTE:

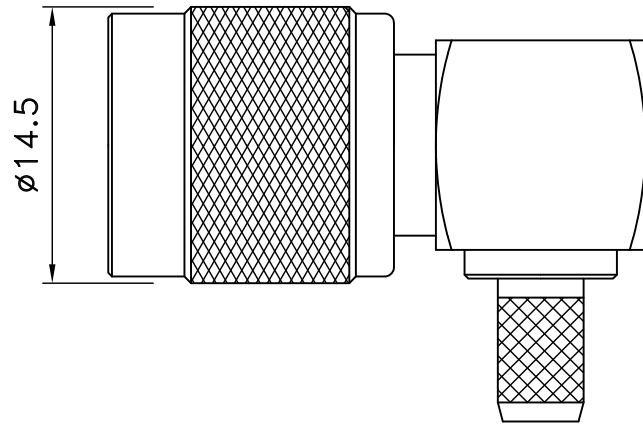
CENTER PIN GOLD PLATING 3 μ THICK OVER NICKEL PLATING 70 μ
 THICK OVER NICKEL STRIKE
 BODY NICKEL PLATING 70 μ THICK OVER NICKEL STRIKE
 BRASS AND PTFE PER SGS
 FINISH PLATING THICKNESS IN MICRO-INCHES
 COPPER PARTS AUTOMATIC CNC MANUFACTURING

Prohibit re-circulating



華耀科技有限公司
 Hwa Yao Technologies co.,Ltd

TITLE
 TNC FEMALE BULKHEAD CRIMP
 DRAWING NO.
 TNC-1514



NOTE:

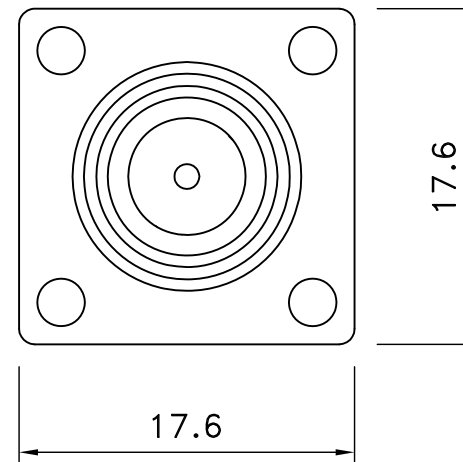
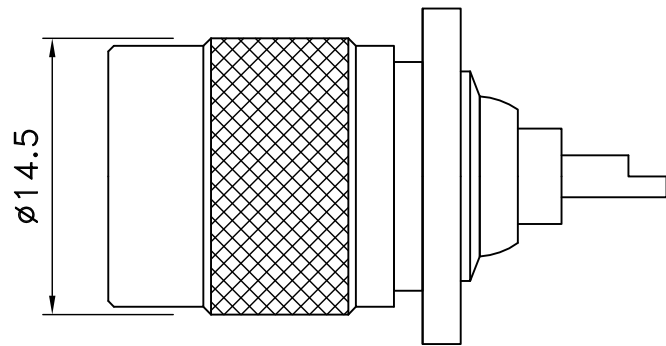
CENTER PIN GOLD PLATING 3μ THICK OVER NICKEL PLATING 70μ
 THICK OVER NICKEL STRIKE
 BODY NICKEL PLATING 70μ THICK OVER NICKEL STRIKE
 BRASS AND PTFE PER SGS
 FINISH PLATING THICKNESS IN MICRO-INCHES
 COPPER PARTS AUTOMATIC CNC MANUFACTURING

Prohibit re-circulating



華耀科技有限公司
 Hwa Yao Technologies co.,Ltd

TITLE
 TNC MALE RIGHT ANGLE CRIMP
 DRAWING NO.
 TNC-1533



NOTE:

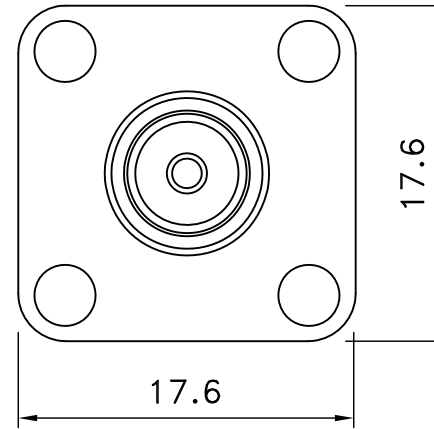
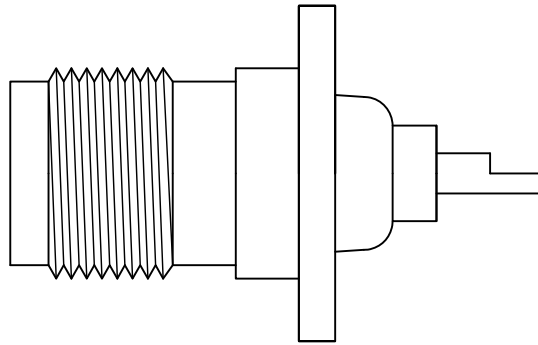
CENTER PIN GOLD PLATING 3 μ THICK OVER NICKEL PLATING 70 μ
 THICK OVER NICKEL STRIKE
 BODY NICKEL PLATING 70 μ THICK OVER NICKEL STRIKE
 BRASS AND PTFE PER SGS
 FINISH PLATING THICKNESS IN MICRO-INCHES
 COPPER PARTS AUTOMATIC CNC MANUFACTURING

Prohibit re-circulating



華耀科技有限公司
 Hwa Yao Technologies co.,Ltd

TITLE
 TNC MALE PANEL MOUNT
 DRAWING NO.
 TNC-1507



NOTE:

CENTER PIN GOLD PLATING 3μ THICK OVER NICKEL PLATING 70μ
THICK OVER NICKEL STRIKE
BODY NICKEL PLATING 70μ THICK OVER NICKEL STRIKE
BRASS AND PTFE PER SGS
FINISH PLATING THICKNESS IN MICRO-INCHES
COPPER PARTS AUTOMATIC CNC MANUFACTURING

Prohibit re-circulating



華耀科技有限公司
Hwa Yao Technologies co.,Ltd

TITLE
TNC FEMALE PANEL MOUNT
DRAWING NO.
TNC-1516