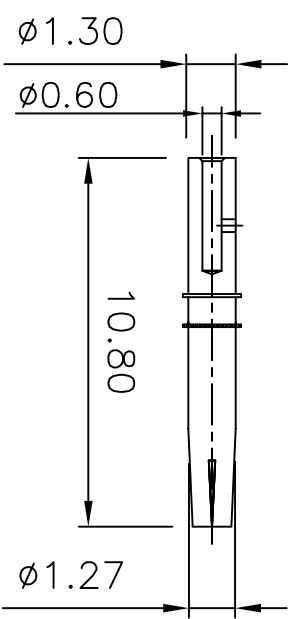
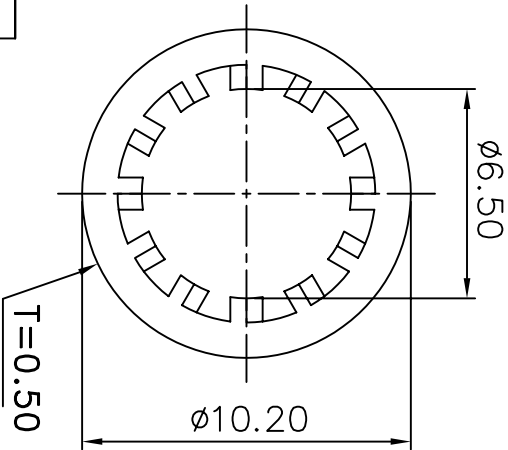
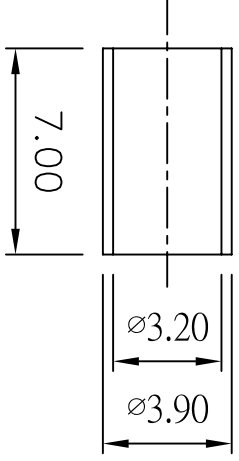
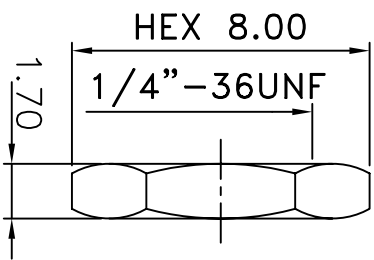
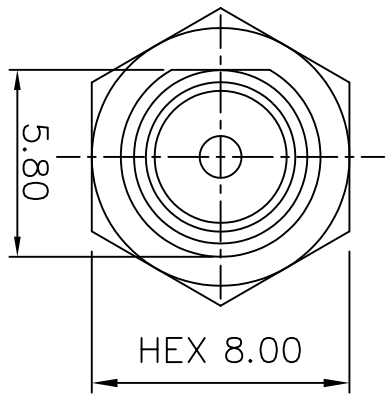
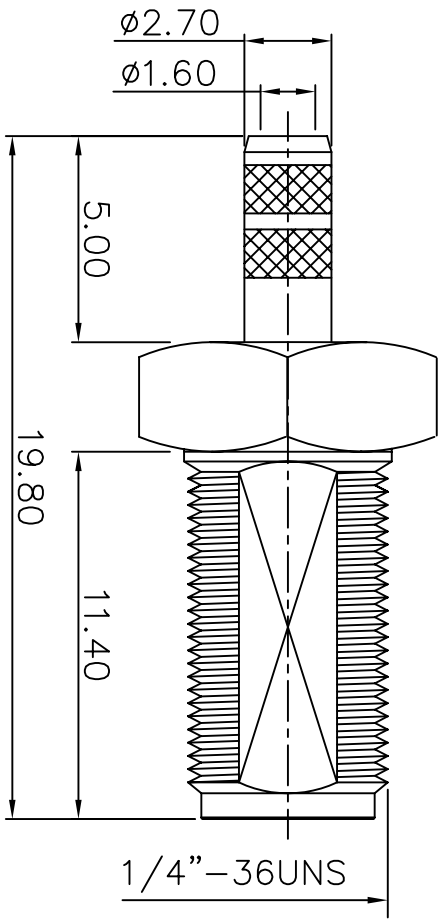


REV	DESCRIPTION	DRAWN	DATE



NO	Description	Qty	Material	Finish
6	NUT	1	BRASS	GOLD
5	WASHER	1	BRASS	GOLD
4	FERRULE	1	COPPER	GOLD
3	DIELECTRIC	1	TEFLON	NONE
2	PIN	1	BERYLLIUM	GOLD
1	BODY	1	BRASS	GOLD

UNLESS OTHERWISE SPECIFIED
 1.REMOVE ALL BURRS
 2.BREAK ALL CORNERS & EDGES TO 1.5 MAX.
 3.CHAMFER 15° & LAST THREADS 45°
 4.DIAMETERS ON COMMON CENTERS
 5.ALL DIMENSIONS ARE WITHIN TOLERANCES AFTER PLATING.

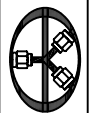
* MAJOR DIMENSION UNLESS OTHERWISE NOTED TOLERANCES
 0.5-6=±0.2
 6-30=±0.4
 30-120=±0.6
 120-315=±1.0
 ANGLES=±1°

APPROVED

CHECKED

DRAWN

Betty



華耀科技有限公司
 Hua Yao Technologies co.,Ltd

TITLE
 SMA FEMALE BULKHEAD CRIMP

DRAWING NO.
 SMA-1012-51-L-TGG

FILE NO. D:\DWG\SMA FEMALE BULKHEAD CRIMP\SMA-1012-51-L-TGG

REV
 LY A