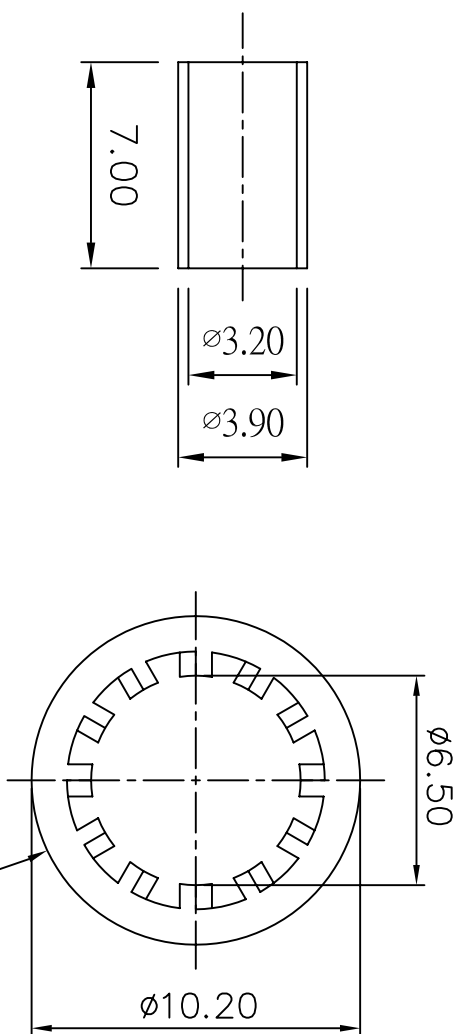
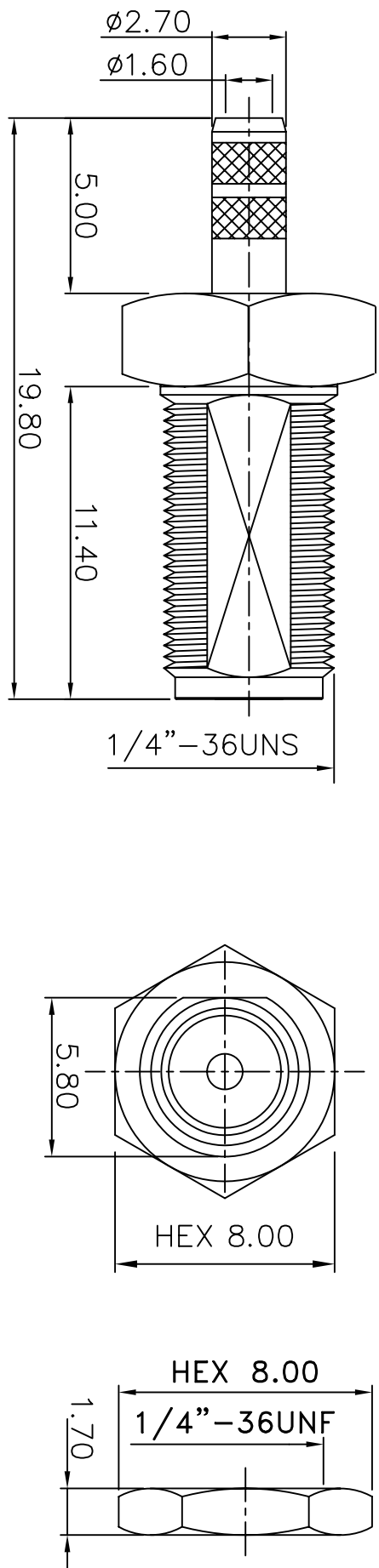


REV	DESCRIPTION	DRAWN	DATE




NO	Description	Qty	Material	Finish
6	NUT	1	BRASS	GOLD
5	WASHER	1	BRASS	GOLD
4	FERRULE	1	COPPER	GOLD
3	DIELECTRIC	1	TEFLON	NONE
2	PIN	1	BERYLLIUM	GOLD
1	BODY	1	BRASS	GOLD

UNLESS OTHERWISE SPECIFIED
 1.REMOVE ALL BURRS
 2.BREAK ALL CORNERS & EDGES CO.1.5 MAX.
 3.CHAMFER 1ST & LAST THREADS 45°.
 4.DIAMETERS ON COMMON CENTERS.
 5.ALL DIMENSIONS ARE WITHIN DIMENSIONS ARE AFTER PLATING.

* MAJOR DIMENSION UNLESS OTHERWISE NOTED TOLERANCES
 0.5-6=±0.2
 6-30=±0.4
 30-120=±0.6
 120-315=±1.0
 ANGLES=±1°

APPROVED
 CHECKED
 DRAWN
 Betty


華耀科技有限公司
 Hua Yao Technology Co., Ltd.
 TITLE: SMA FEMALE RP BULKHEAD CRIMP
 DRAWING NO.: SMA-1012-52-L-RP-TGG
 FILE NO.: D:\DWG\SMA FEMALE BULKHEAD CRIMP\SMA-1012-52-L-RP-TGG

SCALE 5/1 UNIT MM
 DRAWN DATE 06/12/20
 REV A
 LY