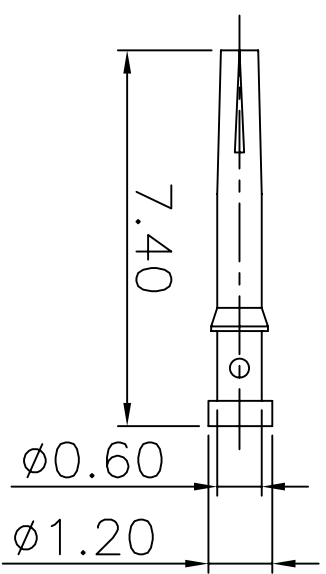
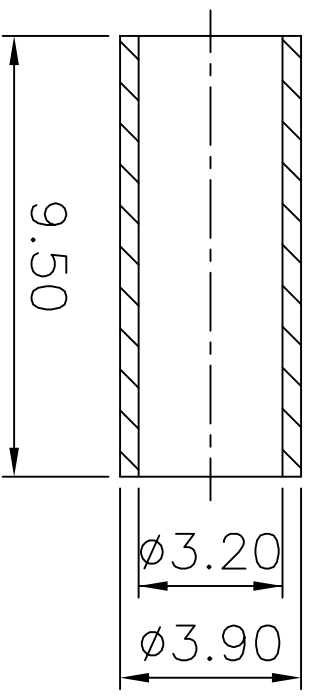
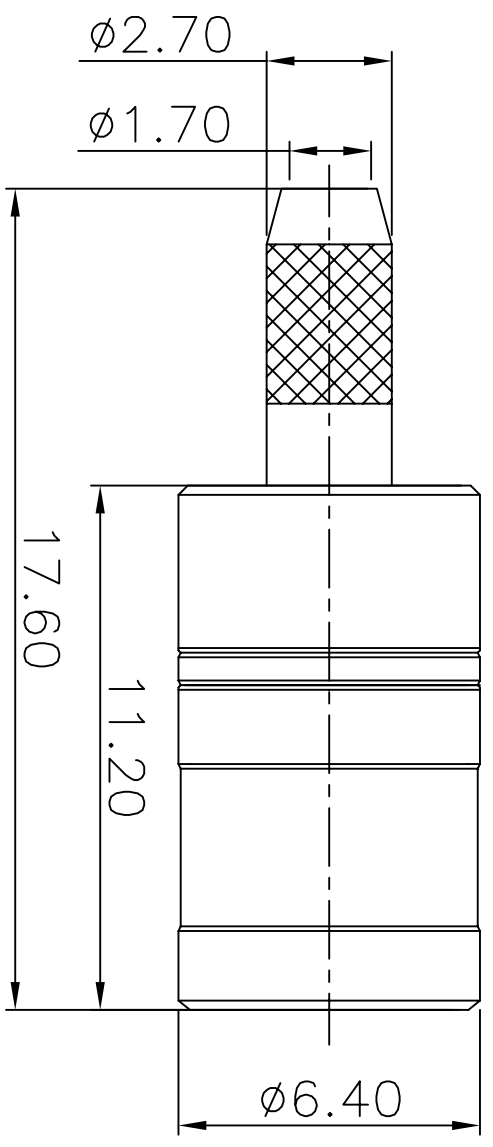


REV	DESCRIPTION	DRAWN	DATE




NO	Description	Qty	Material	Finish
7	RETAINING RING	1	BERYLLIUM	GOLD
6	FERRULE	1	COPPER	GOLD
5	FERRULE	1	BRASS	GOLD
4	DIELECTRIC	1	TEFLON	NONE
3	PIN	1	BERYLLIUM	GOLD
2	BODY	1	BRASS	GOLD
1	BODY	1	BRASS	GOLD

UNLESS OTHERWISE SPECIFIED
 1 REMOVE ALL BURRS
 2 BREAK ALL CORNERS & EDGES TO 1.5 MAX.
 3 CHAMFER 1.51 & LAST THREADS 45°
 4 DIAMETERS ON COMMON CENTERS
 5 ALL DIMENSIONS ARE AFTER PLATING.

* MAJOR DIMENSION
 UNLESS OTHERWISE NOTED TOLERANCES
 0.5-6 = ±0.2
 6-30 = ±0.4
 30-120 = ±0.6
 120-315 = ±1.0
 ANGLES = ±1°

APPROVED
 CHECKED
 DRAWN Betty
 DRAWN DATE 06/12/20


華耀科技有限公司
 Hua Yao Technologies co., Ltd
 TITLE: SMB MALE CRIMP
 DRAWING NO.: SMB-1811-4-L-TGG
 FILE NO. D:\DWG\SMB MALE CRIMP\SMB-1811-4-L-TGG
 REV: A
 WL