

2.4GHz Dipole Antenna 2dBi RP-SMA(M) DA-2450-02RP-SMA-05

APPLICATIONS AND FEATURES

Applications:

- 2.4GHz-2.5GHz ISM Band
- IEEE 802.11b/g/n Wireless LAN
- Public Wireless Hotspot
- Bluetooth 、 Wi-Fi 、 RFID
- Wireless Video Systems
- Directional and multipoint application

Features :

- Superior Performance
- Made with weatherproof and corrosion resistant
- Good appearance design
- Installed for vertical or horizontal polarization
- Outdoor antenna for public Hot spots
- Heavy Duty mounting
- RoHS Compliant



SPECIFICATIONS:

Electrical Specifications

Frequency Range	2400~2500 MHz
V.S.W.R	$\leq 2.0:1$
Antenna Type	Dipole Sleeve
Gain	$\geq 2.0 + 0.5\text{dBi}$
Polarization	Linear
Horizontal Beam-width	360°
Impedance	50Ω
Connector	RP SMA MALE

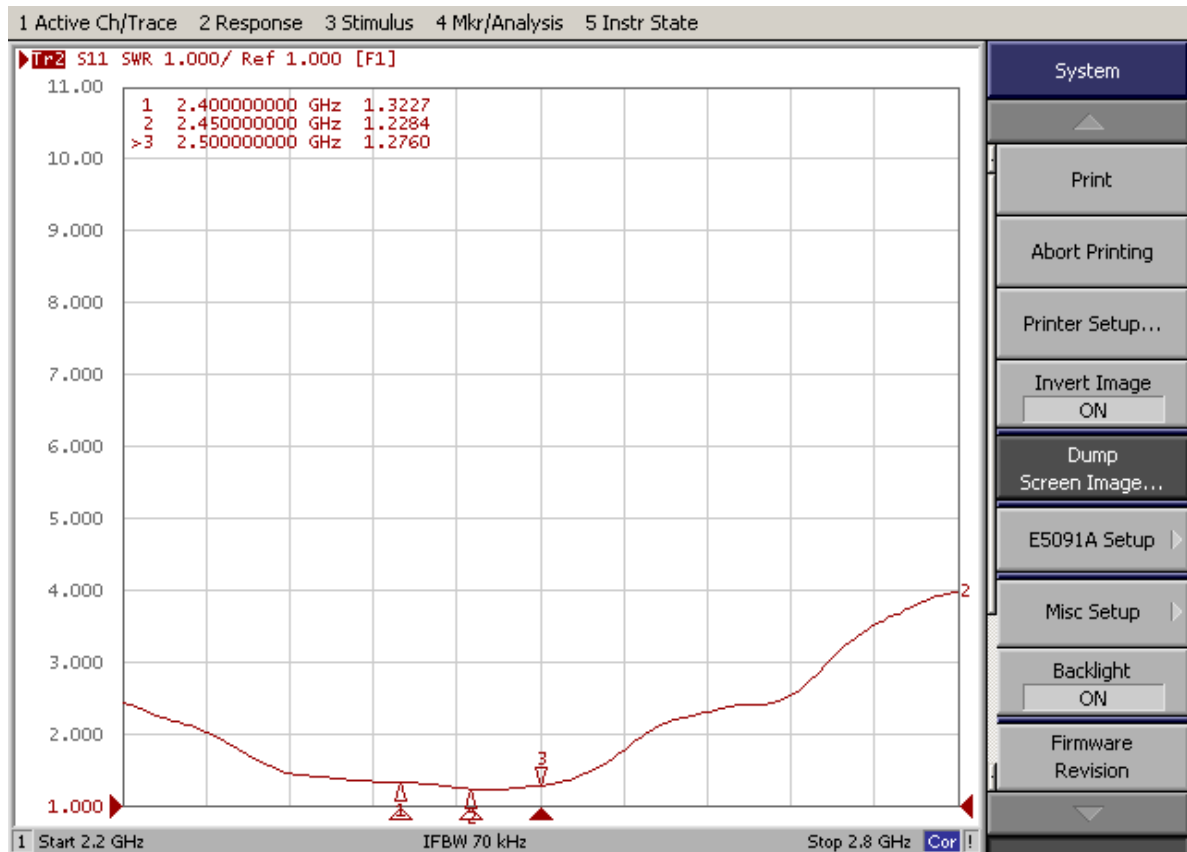
Mechanical Specifications

Dimension	108.8mm
Weight	7g
Housing	ABS
Hinge	ABS
Color	Black
Operating Temperature	-20°C to +70 °C
Storage Temperature	-20°C to +70 °C

Test Item	Procedure	Requirement
Visual inspection and Dimension Check	Applicable methods using x5 magnification	follow specification
Rapid Changing of Temperature	-40°C (30minutes) to 90°C (30minutes); 24 cycles	After 2 hours recovery: 1. no visible damage 2. Freq. Tol.: < ±5%
Damp Heat	24 hours at 60°C; 90 ~ 95% RH	After 2 hours recovery: 1.no visible damage 2. Freq. Tol. : < ±5%
Endurance	24 hours at 90°C	After 2 hours recovery: 1. no visible damage 2. Freq Tol.: < ±5%

TESTING REPORT

VSWR



Hwayaotek

No.3, Aly. 2, Ln. 279, Zhongzheng Rd.,
Yongkang Dist., Tainan City 710, Taiwan
(R.O.C.)

TEL: 886-6-2020002
FAX: +886-6-2013882
<http://www.hwayaotek.com.tw>
Email: sales@hwayaotek.com.tw

All creative content and details belonging to HYT's confidential, and the owner, without consent, Do not posted, theft, copied and sent to a third party.

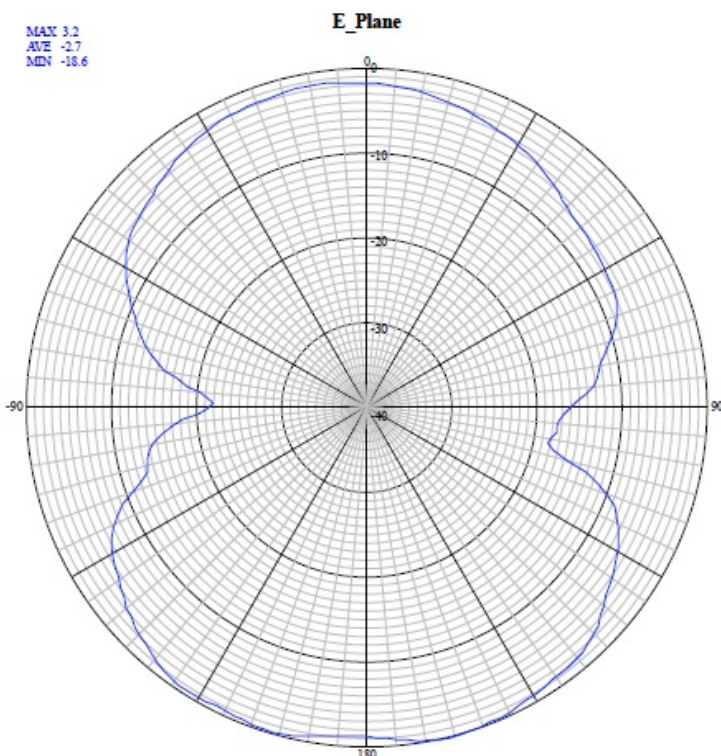
Antenna Gain

頻率	Gain H-Plane	Gain E-Plane
2.4 GHz	3.5 dBi	3.1 dBi
2.45 GHz	3.8 dBi	3.2 dBi
2.5 GHz	3.6 dBi	2.9 dBi

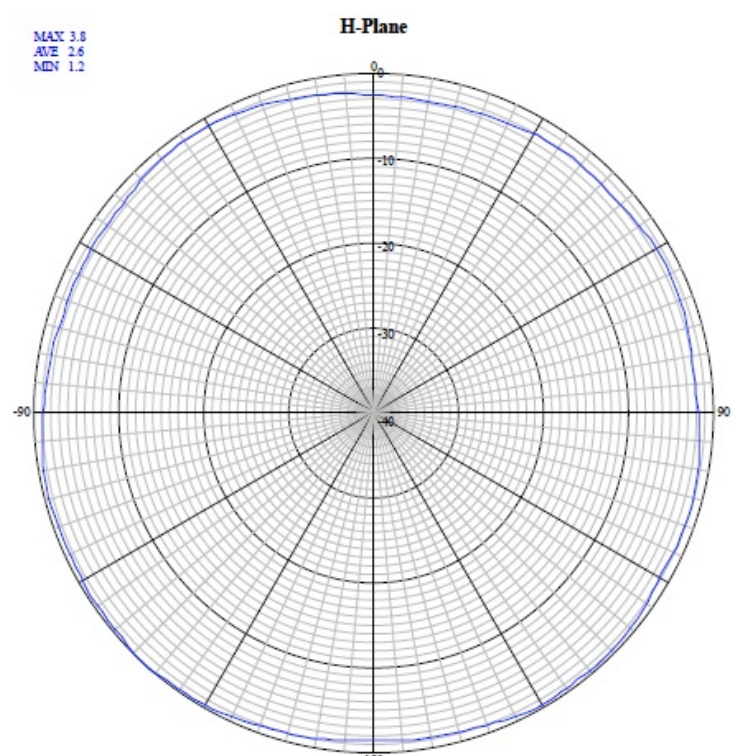
頻率	HPBW H-Plane	HPBW E-Plane
2.4 GHz	360.0 deg	100.8 deg
2.45 GHz	360.0 deg	99.0 deg
2.5 GHz	360.0 deg	95.4 deg

Antenna Vertical & Horizontal Pattern

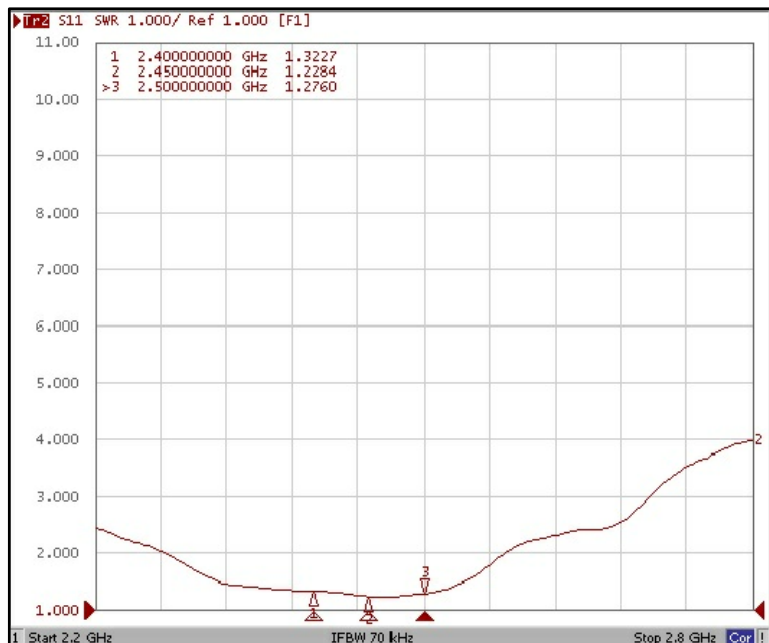
Vertical



Horizontal



REV	DATE	DESCRIPTION	DRAWN
△			



ELECTRIC

S.W.R.: 2.4~2.5 GHz ≤ 2.0

GAIN: ≥ 2.0 dBi

IMPEDANCE: 50 Ω

MATERIAL

MATERIAL OF RADIATOR: CU

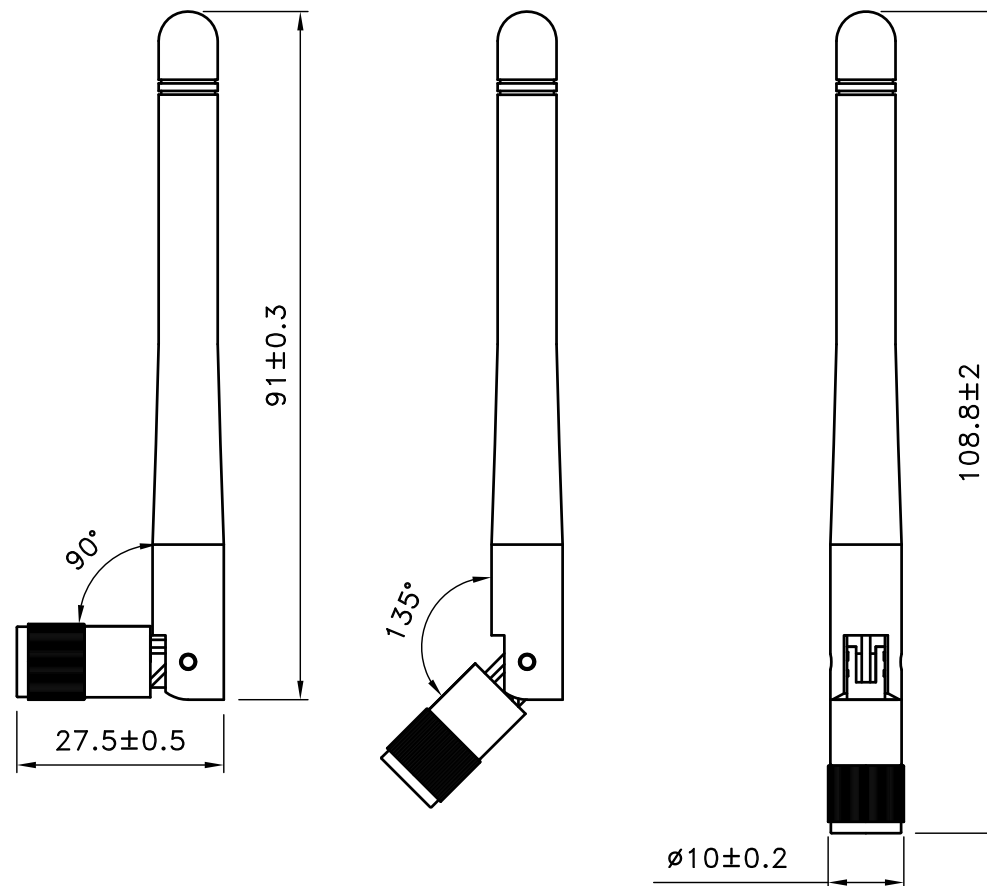
CONNECTOR TYPE: RP SMA MALE

ENVIRONMENTAL

STORAGE TEMPERATURE: -20°C~70°C

OPERATING TEMPERATURE: -20°C~70°C

5	1.13 CABLE	ASSY	BLACK	1
4	N0543	BRASS	NONE	1
3	Y0392	ABS	BLACK	1
2	Y0383	ABS	BLACK	1
1	SMA-1067-10-RP-DGB	ASSY	BLACK	1
NO	DESCRIPTION	MATERIAL	FINISH	Q'ty



華耀科技有限公司
Hwa Yao Technologies co.,Ltd

NOTE	TOLERANCES	TITLE	
1. STRIP ALL BURRS. 2. ALL DIMENSIONS ARE AFTER PLATING. 3. DIAMETERS ON COMMON CENTERS TO BE CONCENTRIC WITHIN 0.1 T.I.R 4. CHAMFER 1ST & LAST THREADS 45° 5. BREAK ALL CONNERS & EDGES CO.15 MAX.	UNLESS OTHERWISE NOTED TOLERANCES X=±0.3 0.X=±0.2 0.XX=±0.1	2dBi Dipole Antenna	
		DRAWING NO. DA-2450-02RP-SMA-05	
		APPROVED	DRAWN DATE
		CHECKED	SCALE
		DRAWN	UNIT

	09/30/14
	1:1
ALICE	mm