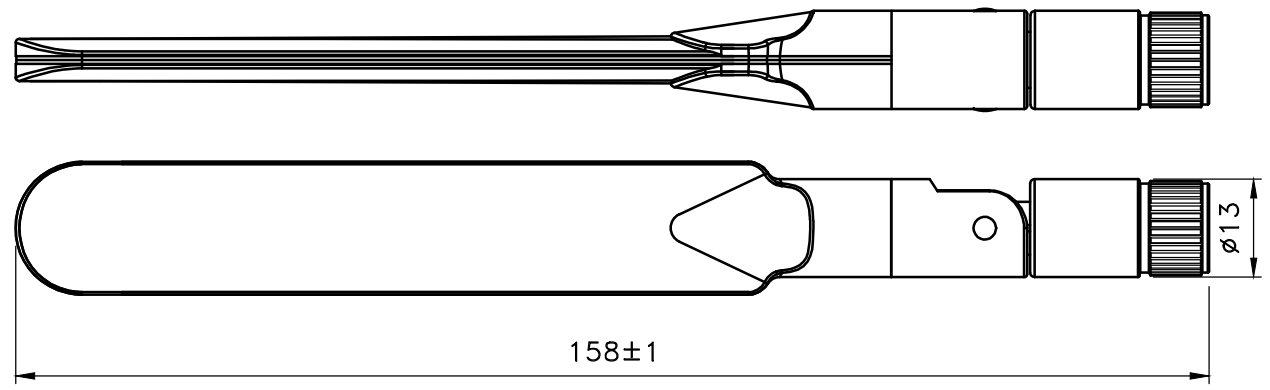
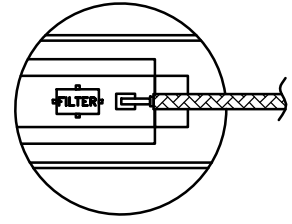


| REV | DATE | DESCRIPTION | DRAWN |
|-----|------|-------------|-------|
| ▲ | | | |

Built-RF Filtering Characteristics

| | | | | |
|---------------------|------------|--------------|--------------|--------------|
| Frequency range | 806-960MHz | 1710-2025MHz | 1805-1990MHz | 2110-2170MHz |
| Minimum attenuation | >30dB | >35dB | >45dB | >25dB |



PRODUCT NO: DA-DB-05RP-SMA-04

ELECTRIC

FREQUENCY: 2.4/5GHz
 RETURN LOSS: -10dB MAX
 CERTAIN DIRECTION: OMNI
 IMPEDANCE: 50 ohm
 VSWR: 2.0 MAX
 MAX GAIN: 5dBi

MECHANICAL

ANTENNA BASE: ABS
 ANTENNA COVER: ABS
 STORAGE TEMPERATURE: -30°C~75°C
 OPERATING TEMPERATURE: -20°C~65°C
 STANDARD CONNECTOR: RP SMA MALE

Prohibit re-circulating



 華耀科技有限公司
 Hwa Yao Technologies co.,Ltd

| NOTE | DIMENSION | TITLE | |
|--|-----------------------------------|-------------------------------|---------------------|
| 1. STRIP ALL BURRS. 2. ALL DIMENSIONS ARE AFTER PLATING. 3. DIAMETERS ON COMMON CENTERS. TO BE CONCENTRIC WITHIN 0.1 T.I.R 4. CHAMFER 1ST & LAST THREADS 45°. 5. BREAK ALL CONNERS & EDGES CO.15 MAX. | UNLESS OTHERWISE NOTED TOLERANCES | 2.4/5GHz Dipole Antenna 5dBi | |
| | X=±0.3 | DRAWING NO. DA-DB-05RP-SMA-04 | |
| | 0.X=±0.2 | APPROVED | DRAWN DATE 01/04/13 |
| | 0.XX=±0.1 | CHECKED | SCALE |
| | | DRAWN ALICE | UNIT mm |

All creative content and details belonging to HYT's confidential, and the owner, without consent, Do not posted, theft, copied and sent to a third party.