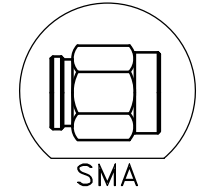
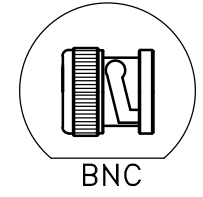
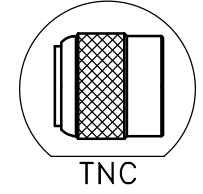
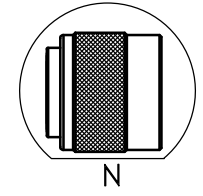
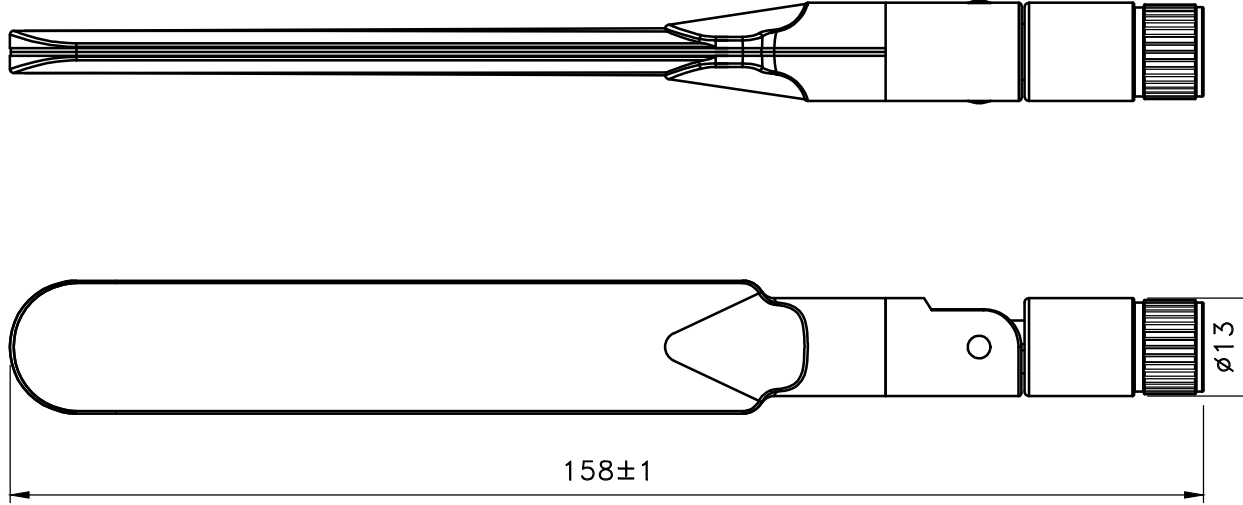


REV	DATE	DESCRIPTION	DRAWN
▲			



PRODUCT NO: DA-DB-05RP-SMA

ELECTRIC

FREQUENCY: 2.4/5GHz
 RETURN LOSS: -10dB MAX
 CERTAIN DIRECTION: OMNI
 IMPEDANCE: 50 ohm
 VSWR: 2.0 MAX
 MAX GAIN: 5dBi

MECHANICAL

ANTENNA BASE: ABS
 ANTENNA COVER: ABS
 STORAGE TEMPERATURE: -30°C~75°C
 OPERATING TEMPERATURE: -20°C~65°C
 STANDARD CONNECTOR: RP SMA MALE

Prohibit re-circulating



 華耀科技有限公司
 Hwa Yao Technologies co.,Ltd

TITLE 2.4/5GHz Dipole Antenna 5dBi	
DRAWING NO. DA-DB-05RP-SMA	
APPROVED	DRAWN DATE 01/04/13
CHECKED	SCALE
DRAWN ALICE	UNIT mm

NOTE	DIMENSION UNLESS OTHERWISE NOTED TOLERANCES
1.1.STRIP ALL BURRS. 2.ALL DIMENSIONS ARE AFTER PLATING. 3.DIAMETERS ON COMMON CENTERS. TO BE CONCENTRIC WITHIN 0.1 T.I.R	X=±0.3
4.CHAMFER 1ST & LAST THREADS 45°.	0.X=±0.2
5.BREAK ALL CONNERS & EDGES CO.15 MAX.	0.XX=±0.1

All creative content and details belonging to HYT's confidential, and the owner, without consent, Do not posted, theft, copied and sent to a third party.