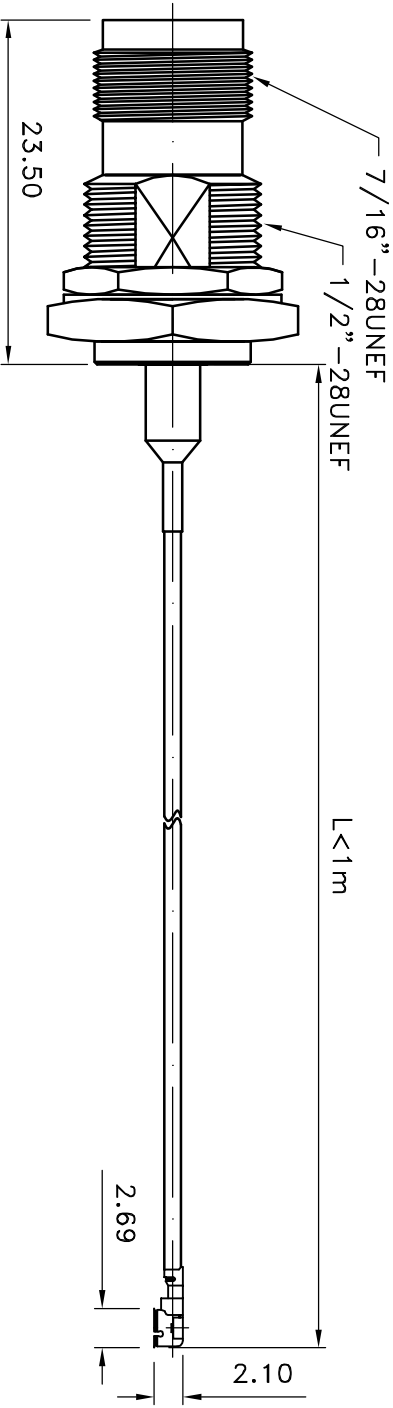



REV	DATE	DESCRIPTION	DRAWN



NO	DESCRIPTION	MATERIAL	FINISH	Q'ty
3	IPEX-2601-1-I-DGG	BRASS	GOLD	1
2	1.13 CABLE			1
1	TNC-1514-2-L-TGN	BRASS	NICKEL	1

NOTE	DIMENSION
1. STRIP ALL BURRS.	UNLESS OTHERWISE
2. ALL DIMENSIONS ARE	NOTED TOLERANCES
3. AFTER PLATING	0.X=±0.2
4. DIAMETERS ON COMMON	0.XX=±0.1
5. CENTERS	TO BE CONCENTRIC
6. WITHIN 0.1 T.I.R	
7. CHAMFER 1ST & LAST	
8. THREADS AS	
9. BREAK ALL CORNERS &	
10. EDGES CO.15 MAX.	

 華耀科技有限公司 Hua Yao Technologies co.,Ltd	
TITLE	
TNC1514-IPEX2601	
DRAWING NO.	
1514211326011-RL	
APPROVED	DRAWN DATE
	08/11/26
CHECKED	SCALE
	2:1
DRAWN	UNIT
ALICE	mm