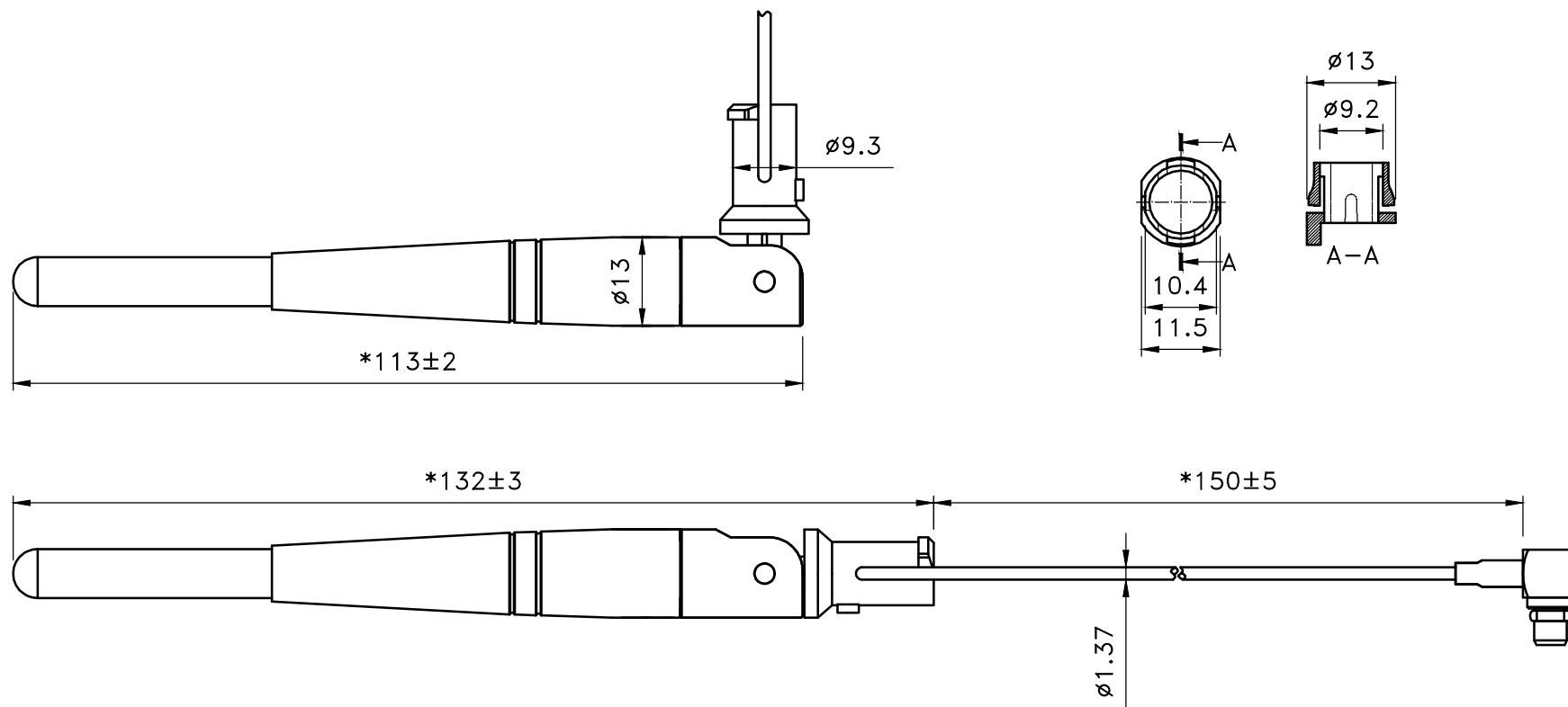


REV	DATE	DESCRIPTION	DRAWN
△			



PRODUCT NO:DA-5000-03-01

**ELECTRIC**

FREQUENCY: 5GHz  
 RETURN LOSS: -10dB MAX  
 CERTAIN DIRECTION: OMNI  
 IMPEDANCE: 50 ohm  
 VSWR: 2.0 MAX  
 MAX GAIN: 3dBi

**MECHANICAL**

ANTENNA BASE: ABS  
 ANTENNA COVER: ABS  
 STORAGE TEMPERATURE: -30°C~75°C  
 OPERATING TEMPERATURE: -20°C~65°C  
 STANDARD CONNECTOR: MMCX MALE

**Prohibit re-circulating**



 華耀科技有限公司  
 Hwa Yao Technologies co.,Ltd

TITLE 5GHz Dipole Antenna 3dBi	
DRAWING NO. DA-5000-03-01	
APPROVED	DRAWN DATE 01/04/13
CHECKED	SCALE 1:1
DRAWN ALICE	UNIT mm

NOTE	DIMENSION
1.1.STRIP ALL BURRS. 2.ALL DIMENSIONS ARE AFTER PLATING. 3.DIAMETERS ON COMMON CENTERS. TO BE CONCENTRIC WITHIN 0.1 T.I.R	UNLESS OTHERWISE NOTED TOLERANCES X=±0.3
4.CHAMFER 1ST & LAST THREADS 45°.	0.X=±0.2
5.BREAK ALL CONNERS & EDGES CO.15 MAX.	0.XX=±0.1

\*All creative content and details belonging to HYT's confidential, and the owner, without consent, Do not posted, theft, copied and sent to a third party.\*