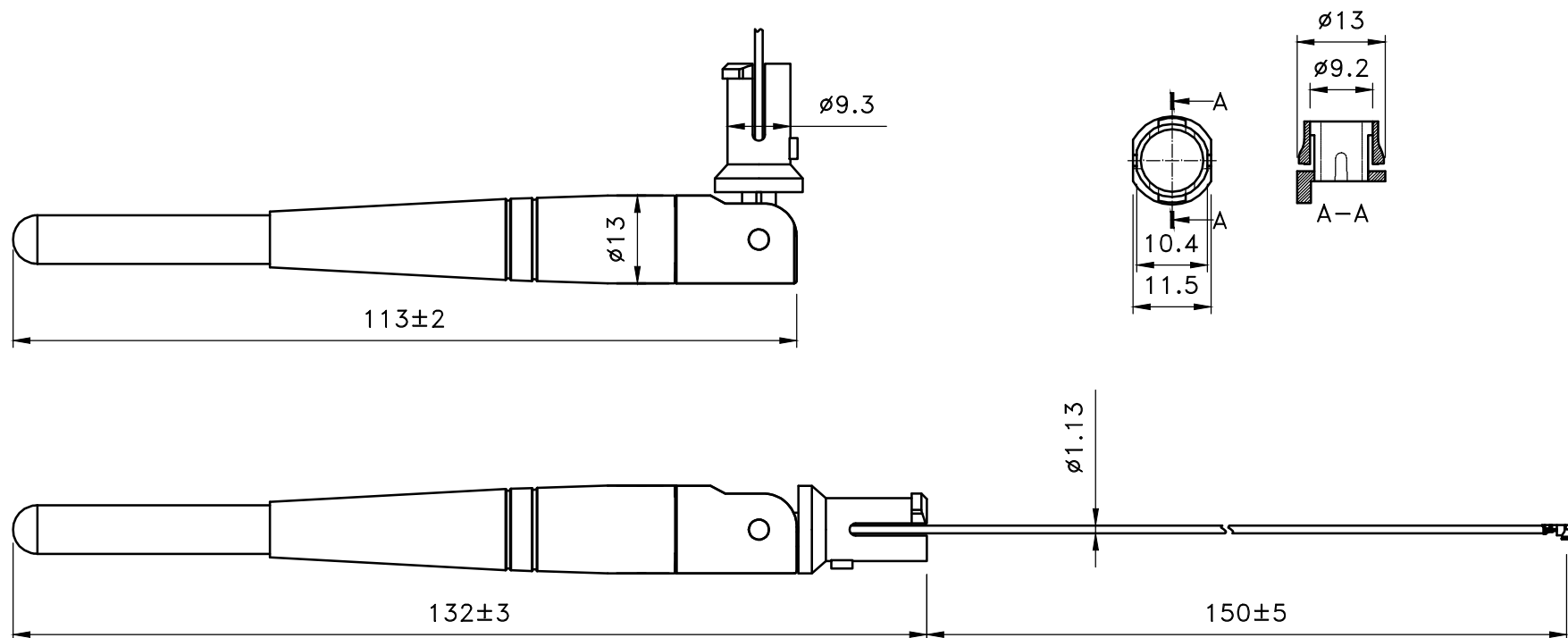


| REV | DATE | DESCRIPTION | DRAWN |
|-----|------|-------------|-------|
| △   |      |             |       |



PRODUCT NO:DA-DB-02-05

### ELECTRIC

FREQUENCY: 5GHz  
 RETURN LOSS: -10dB MAX  
 CERTAIN DIRECTION: OMNI  
 IMPEDANCE: 50 ohm  
 VSWR: 2.0 MAX  
 MAX GAIN: 2dBi

### MECHANICAL

ANTENNA BASE: ABS  
 ANTENNA COVER: ABS  
 STORAGE TEMPERATURE: -30°C~75°C  
 OPERATING TEMPERATURE: -20°C~65°C  
 STANDARD CONNECTOR: IPEX

**Prohibit re-circulating**



 華耀科技有限公司  
 Hwa Yao Technologies co.,Ltd

|                                       |                        |
|---------------------------------------|------------------------|
| TITLE<br>2.4/5GHz Dipole Antenna 2dBi |                        |
| DRAWING NO.<br>DA-DB-02-05            |                        |
| APPROVED                              | DRAWN DATE<br>01/04/13 |
| CHECKED                               | SCALE<br>1:1           |
| DRAWN<br>ALICE                        | UNIT<br>mm             |

| NOTE                                    | DIMENSION  |
|---|--|
| 1. STRIP ALL BURRS.                     | UNLESS OTHERWISE NOTED TOLERANCES<br>X=±0.3<br>0.X=±0.2<br>0.XX=±0.1 |
| 2. ALL DIMENSIONS ARE AFTER PLATING.    |  |
| 3. DIAMETERS ON COMMON CENTERS.         |  |
| 4. CHAMFER 1ST & LAST THREADS 45°.      |  |
| 5. BREAK ALL CONNERS & EDGES CO.15 MAX. |  |

\*All creative content and details belonging to HYT's confidential, and the owner, without consent, Do not posted, theft, copied and sent to a third party.\*