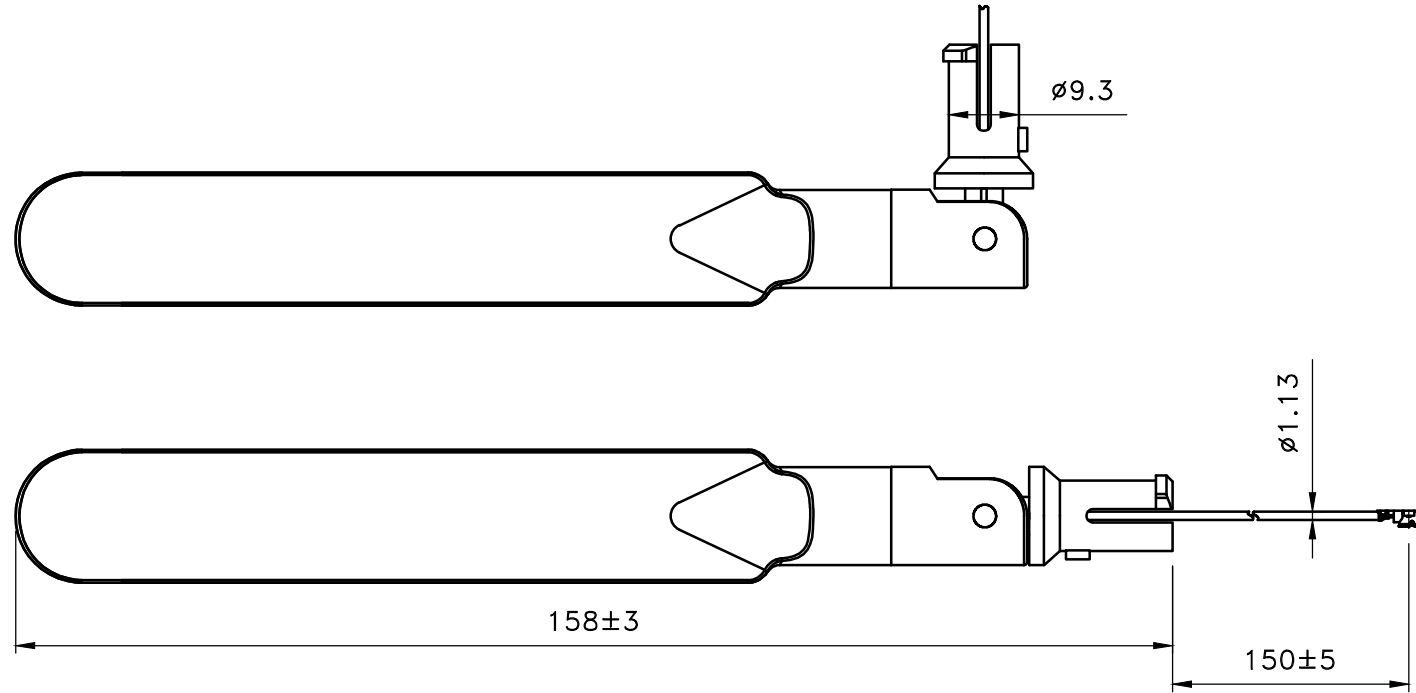


REV	DATE	DESCRIPTION	DRAWN
▲			



PRODUCT NO: DA-DB-05IPEX-150

ELECTRIC

FREQUENCY: 2.4/5GHz
 RETURN LOSS: -10dB MAX
 CERTAIN DIRECTION: OMNI
 IMPEDANCE: 50 ohm
 VSWR: 2.0 MAX
 MAX GAIN: 5dBi

MECHANICAL

ANTENNA BASE: ABS
 ANTENNA COVER: ABS
 STORAGE TEMPERATURE: -30°C~75°C
 OPERATING TEMPERATURE: -20°C~65°C
 STANDARD CONNECTOR: IPEX

Prohibit re-circulating



華耀科技有限公司
 Hwa Yao Technologies co.,Ltd

TITLE 2.4/5GHz Dipole Antenna 5dBi	
DRAWING NO. DA-DB-05IPEX-150	
APPROVED	DRAWN DATE 01/04/13
CHECKED	SCALE
DRAWN ALICE	UNIT mm

NOTE	DIMENSION TOLERANCES
1. STRIP ALL BURRS.	UNLESS OTHERWISE NOTED TOLERANCES
2. ALL DIMENSIONS ARE AFTER PLATING.	
3. DIAMETERS ON COMMON CENTERS.	
4. CHAMFER 1ST & LAST THREADS 45°.	
5. BREAK ALL CONNERS & EDGES CO.15 MAX.	
	X=±0.3
	0.X=±0.2
	0.XX=±0.1

All creative content and details belonging to HYT's confidential, and the owner, without consent, Do not posted, theft, copied and sent to a third party.