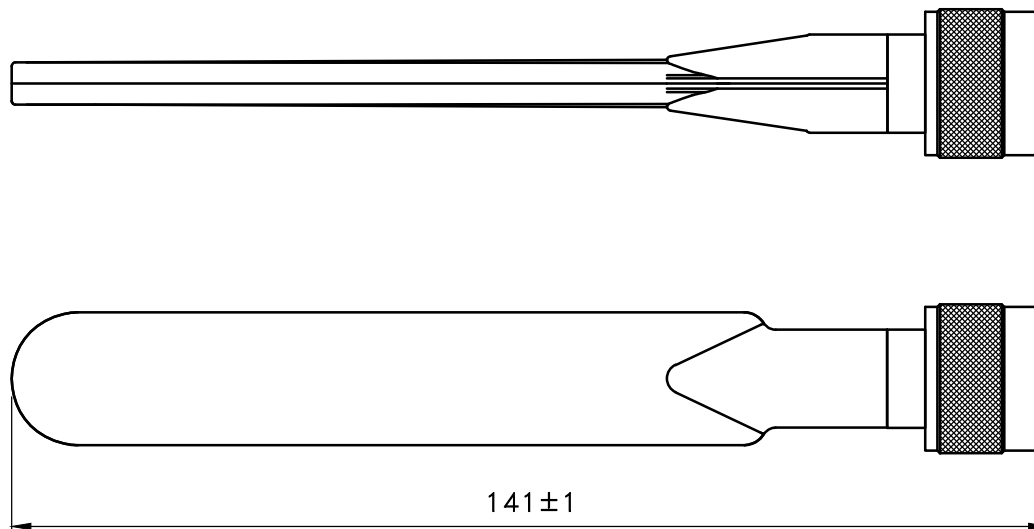


REV	DATE	DESCRIPTION	DRAWN
△			



PRODUCT NO: DA-DB-05N-M

ELECTRIC

FREQUENCY: 2.4/5GHz
 RETURN LOSS: -10dB MAX
 CERTAIN DIRECTION: OMNI
 IMPEDANCE: 50 ohm
 VSWR: 2.0 MAX
 MAX GAIN: 5dBi

MECHANICAL

ANTENNA BASE: ABS
 ANTENNA COVER: ABS
 STORAGE TEMPERATURE: -30°C~75°C
 OPERATING TEMPERATURE: -20°C~65°C
 STANDARD CONNECTOR: N MALE

Prohibit re-circulating



 華耀科技有限公司
 Hwa Yao Technologies co.,Ltd

NOTE	DIMENSION	TITLE	
1. STRIP ALL BURRS. 2. ALL DIMENSIONS ARE AFTER PLATING. 3. DIAMETERS ON COMMON CENTERS. TO BE CONCENTRIC WITHIN 0.1 T.I.R 4. CHAMFER 1ST & LAST THREADS 45°. 5. BREAK ALL CONNERS & EDGES CO.15 MAX.	UNLESS OTHERWISE NOTED TOLERANCES	2.4/5GHz Dipole Antenna 5dBi	
	X=±0.3	DRAWING NO. DA-DB-05N-M	
	0.X=±0.2	APPROVED	DRAWN DATE 01/04/13
	0.XX=±0.1	CHECKED	SCALE
		DRAWN ALICE	UNIT mm

All creative content and details belonging to HYT's confidential, and the owner, without consent, Do not posted, theft, copied and sent to a third party.