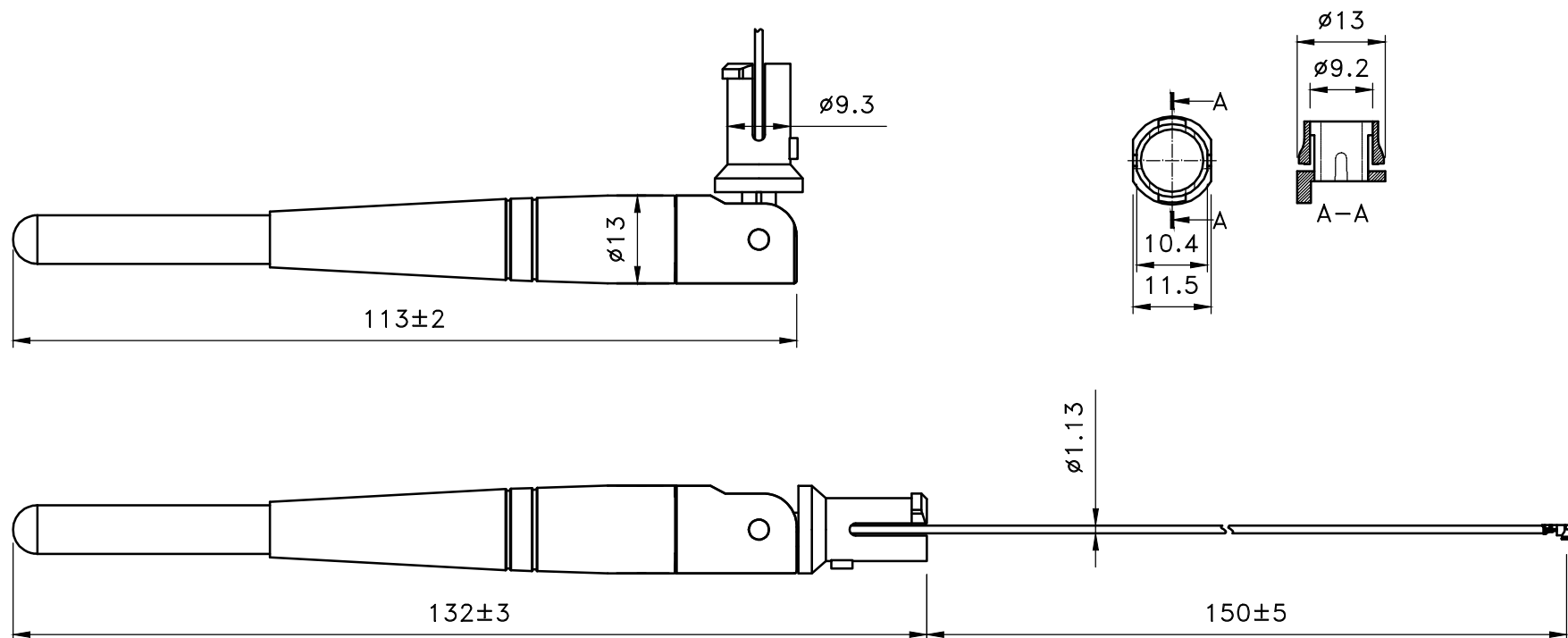


REV	DATE	DESCRIPTION	DRAWN
△			



PRODUCT NO: DA-5000-02

### ELECTRIC

FREQUENCY: 5GHz  
 RETURN LOSS: -10dB MAX  
 CERTAIN DIRECTION: OMNI  
 IMPEDANCE: 50 ohm  
 VSWR: 2.0 MAX  
 MAX GAIN: 2dBi

### MECHANICAL

ANTENNA BASE: ABS  
 ANTENNA COVER: ABS  
 STORAGE TEMPERATURE: -30°C~75°C  
 OPERATING TEMPERATURE: -20°C~65°C  
 STANDARD CONNECTOR: IPEX

**Prohibit re-circulating**



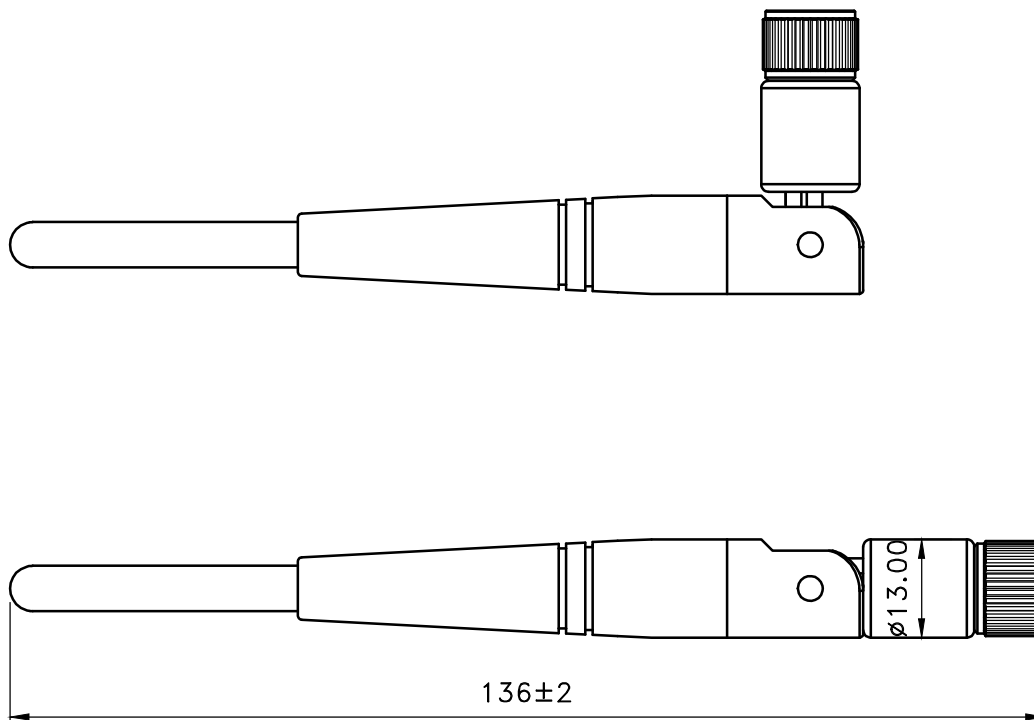
 華耀科技有限公司  
 Hwa Yao Technologies co.,Ltd

TITLE 5GHz Dipole Antenna 2dBi	
DRAWING NO. DA-5000-02	
APPROVED	DRAWN DATE 01/04/13
CHECKED	SCALE 1:1
DRAWN ALICE	UNIT mm

NOTE	DIMENSION
1. STRIP ALL BURRS.	UNLESS OTHERWISE NOTED TOLERANCES X=±0.3 0.X=±0.2 0.XX=±0.1
2. ALL DIMENSIONS ARE AFTER PLATING.	
3. DIAMETERS ON COMMON CENTERS.	
4. CHAMFER 1ST & LAST THREADS 45°.	
5. BREAK ALL CONNERS & EDGES CO.15 MAX.	

\*All creative content and details belonging to HYT's confidential, and the owner, without consent, Do not posted, theft, copied and sent to a third party.\*

REV	DATE	DESCRIPTION	DRAWN
△			



PRODUCT NO:DA-5000-03

### ELECTRIC

FREQUENCY: 5GHz  
 RETURN LOSS: -10dB MAX  
 CERTAIN DIRECTION: OMNI  
 IMPEDANCE: 50 ohm  
 VSWR: 2.0 MAX  
 MAX GAIN: 3dBi

### MECHANICAL

ANTENNA BASE: ABS  
 ANTENNA COVER: ABS  
 STORAGE TEMPERATURE: -30°C~75°C  
 OPERATING TEMPERATURE: -20°C~65°C  
 STANDARD CONNECTOR: RP SMA MALE

**Prohibit re-circulating**



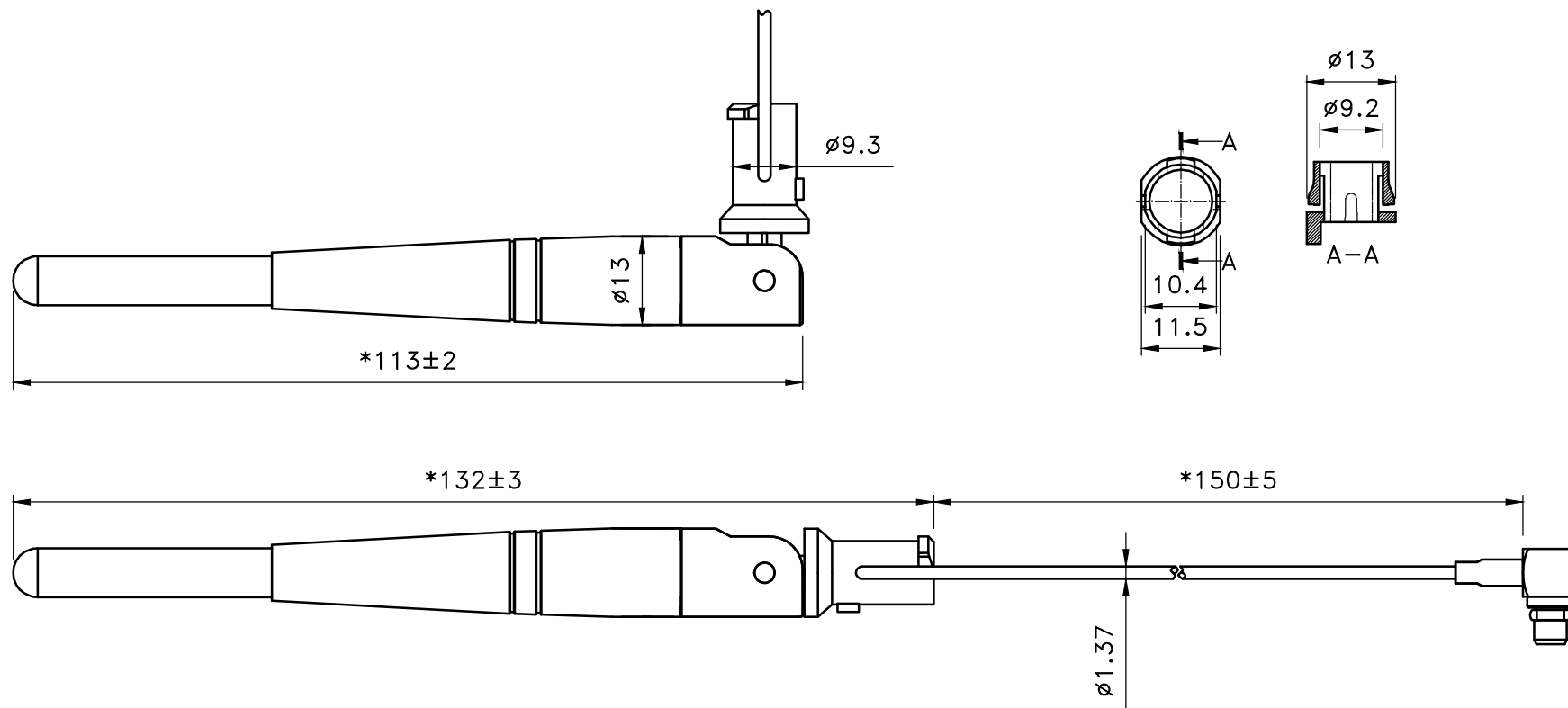
 華耀科技有限公司  
 Hwa Yao Technologies co.,Ltd

TITLE 5GHz Dipole Antenna 3dBi	
DRAWING NO. DA-5000-03	
APPROVED	DRAWN DATE 01/04/13
CHECKED	SCALE 1:1
DRAWN ALICE	UNIT mm

NOTE	DIMENSION
1.STRIP ALL BURRS. 2.ALL DIMENSIONS ARE AFTER PLATING. 3.DIAMETERS ON COMMON CENTERS. 4.CHAMFER 1ST & LAST THREADS 45° 5.BREAK ALL CONNERS & EDGES CO.15 MAX.	UNLESS OTHERWISE NOTED TOLERANCES X=±0.3 O.X=±0.2 O.XX=±0.1

\*All creative content and details belonging to HYT's confidential, and the owner, without consent, Do not posted, theft, copied and sent to a third party.\*

REV	DATE	DESCRIPTION	DRAWN
△			



PRODUCT NO:DA-5000-03

**ELECTRIC**

FREQUENCY: 5GHz  
 RETURN LOSS: -10dB MAX  
 CERTAIN DIRECTION: OMNI  
 IMPEDANCE: 50 ohm  
 VSWR: 2.0 MAX  
 MAX GAIN: 3dBi

**MECHANICAL**

ANTENNA BASE: ABS  
 ANTENNA COVER: ABS  
 STORAGE TEMPERATURE: -30°C~75°C  
 OPERATING TEMPERATURE: -20°C~65°C  
 STANDARD CONNECTOR: MMCX MALE

**Prohibit re-circulating**



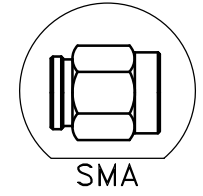
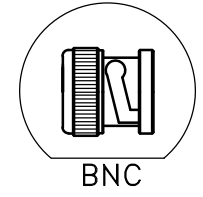
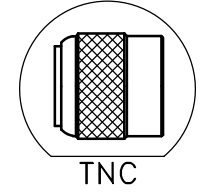
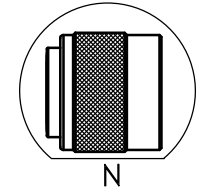
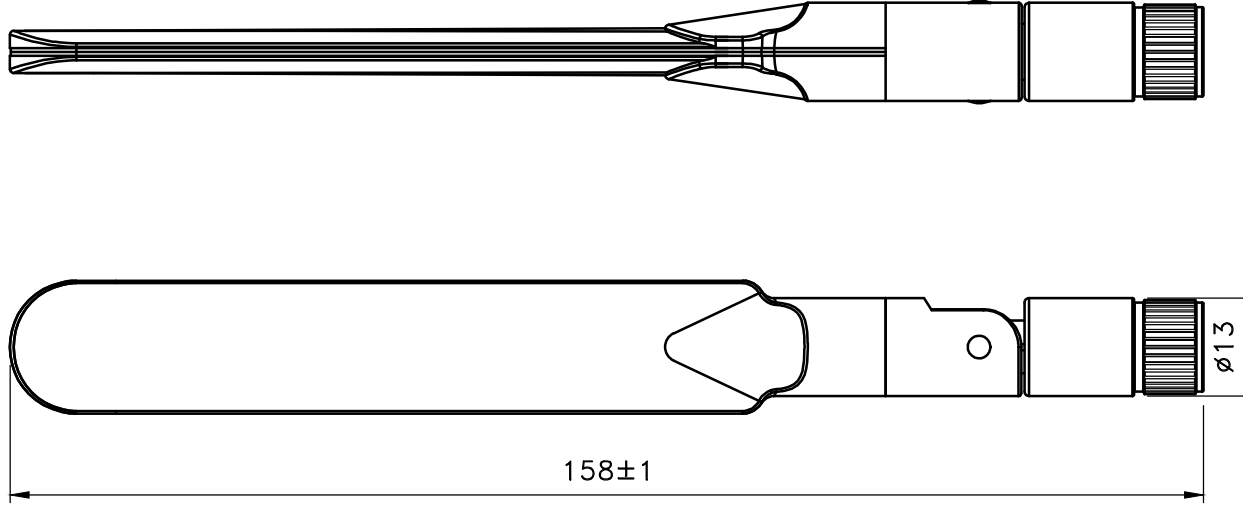
 華耀科技有限公司  
 Hwa Yao Technologies co.,Ltd

TITLE 5GHz Dipole Antenna 3dBi	
DRAWING NO. DA-5000-03	
APPROVED	DRAWN DATE 01/04/13
CHECKED	SCALE 1:1
DRAWN ALICE	UNIT mm

NOTE	DIMENSION
1. STRIP ALL BURRS.	UNLESS OTHERWISE NOTED TOLERANCES X=±0.3 0.X=±0.2 0.XX=±0.1
2. ALL DIMENSIONS ARE AFTER PLATING.	
3. DIAMETERS ON COMMON CENTERS.	
4. CHAMFER 1ST & LAST THREADS 45°	
5. BREAK ALL CONNERS & EDGES CO.15 MAX.	

\*All creative content and details belonging to HYT's confidential, and the owner, without consent, Do not posted, theft, copied and sent to a third party.\*

REV	DATE	DESCRIPTION	DRAWN
▲			



PRODUCT NO: DA-5000-05

**ELECTRIC**

FREQUENCY: 5GHz  
 RETURN LOSS: -10dB MAX  
 CERTAIN DIRECTION: OMNI  
 IMPEDANCE: 50 ohm  
 VSWR: 2.0 MAX  
 MAX GAIN: 5dBi

**MECHANICAL**

ANTENNA BASE: ABS  
 ANTENNA COVER: ABS  
 STORAGE TEMPERATURE: -30°C~75°C  
 OPERATING TEMPERATURE: -20°C~65°C  
 STANDARD CONNECTOR: RP SMA MALE

**Prohibit re-circulating**

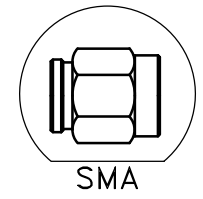
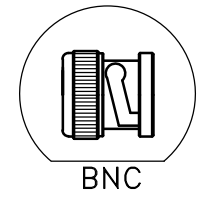
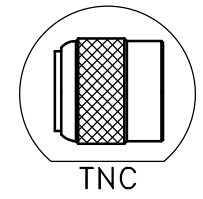
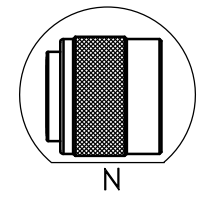
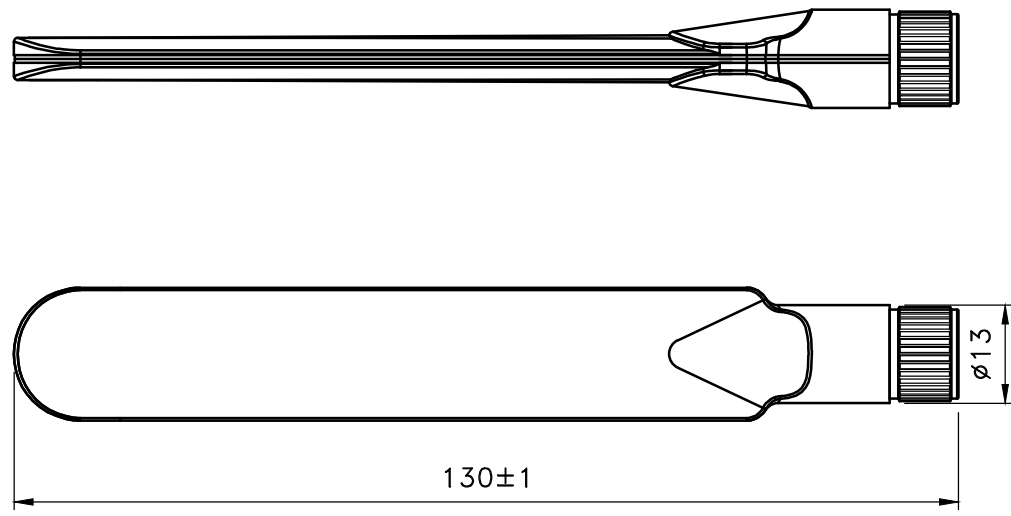


 華耀科技有限公司  
 Hwa Yao Technologies co.,Ltd

NOTE	DIMENSION	TITLE	
1.1.STRIP ALL BURRS. 2.ALL DIMENSIONS ARE AFTER PLATING. 3.DIAMETERS ON COMMON CENTERS. TO BE CONCENTRIC WITHIN 0.1 T.I.R 4.CHAMFER 1ST & LAST THREADS 45°. 5.BREAK ALL CONNERS & EDGES CO.15 MAX.	UNLESS OTHERWISE NOTED TOLERANCES	5GHz Dipole Antenna 5dBi	
	X=±0.3	DRAWING NO. DA-5000-05	
	0.X=±0.2	APPROVED	DRAWN DATE 01/04/13
	0.XX=±0.1	CHECKED	SCALE
		DRAWN ALICE	UNIT mm

\*All creative content and details belonging to HYT's confidential, and the owner, without consent, Do not posted, theft, copied and sent to a third party.\*

REV	DATE	DESCRIPTION	DRAWN
▲			



PRODUCT NO: DA-5000-05

**ELECTRIC**

FREQUENCY: 5GHz  
 RETURN LOSS: -10dB MAX  
 CERTAIN DIRECTION: OMNI  
 IMPEDANCE: 50 ohm  
 VSWR: 2.0 MAX  
 MAX GAIN: 5dBi

**MECHANICAL**

ANTENNA BASE: ABS  
 ANTENNA COVER: ABS  
 STORAGE TEMPERATURE: -30°C~75°C  
 OPERATING TEMPERATURE: -20°C~65°C  
 STANDARD CONNECTOR: RP SMA MALE

**Prohibit re-circulating**

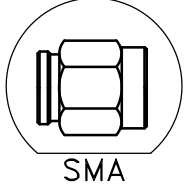
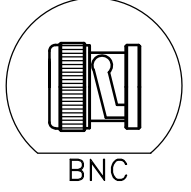
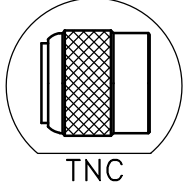
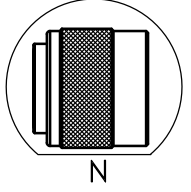
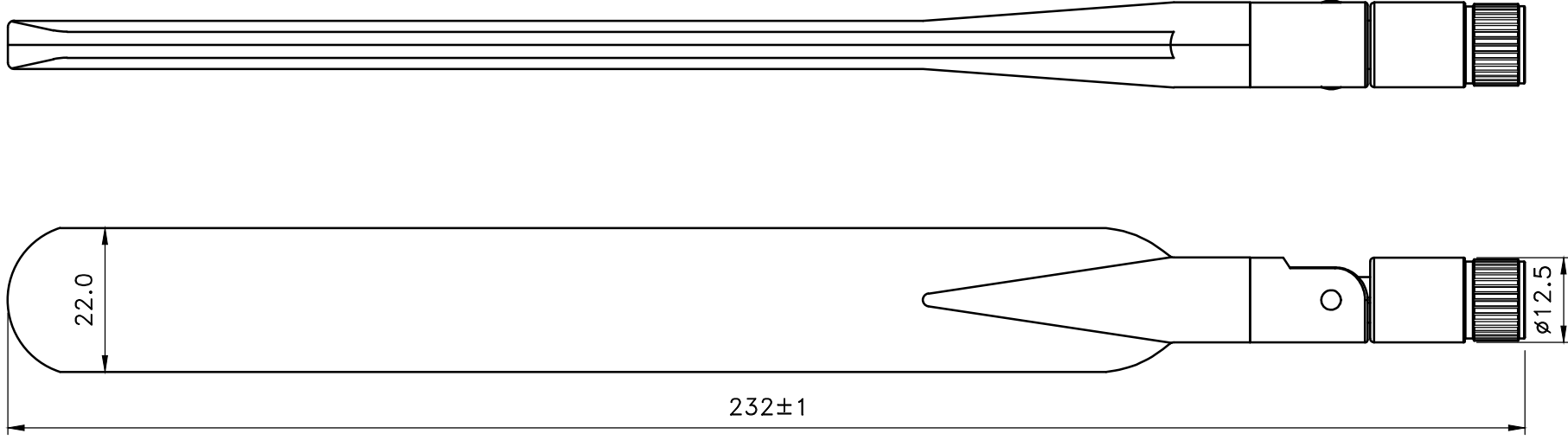


 華耀科技有限公司  
 Hwa Yao Technologies co.,Ltd

NOTE	DIMENSION	TITLE	
1.1.STRIP ALL BURRS. 2.ALL DIMENSIONS ARE AFTER PLATING. 3.DIAMETERS ON COMMON CENTERS. TO BE CONCENTRIC WITHIN 0.1 T.I.R 4.CHAMFER 1ST & LAST THREADS 45°. 5.BREAK ALL CONNERS & EDGES CO.15 MAX.	UNLESS OTHERWISE NOTED TOLERANCES	5GHz Dipole Antenna 5dBi	
	X=±0.3	DRAWING NO. DA-5000-05	
	0.X=±0.2	APPROVED	DRAWN DATE 01/04/13
	0.XX=±0.1	CHECKED	SCALE
		DRAWN ALICE	UNIT mm

\*All creative content and details belonging to HYT's confidential, and the owner, without consent, Do not posted, theft, copied and sent to a third party.\*

REV	DATE	DESCRIPTION	DRAWN
▲			



PRODUCT NO: DA-5000-07

**ELECTRIC**

FREQUENCY: 5GHz  
 RETURN LOSS: -10dB MAX  
 CERTAIN DIRECTION: OMNI  
 IMPEDANCE: 50 ohm  
 VSWR: 2.0 MAX  
 MAX GAIN: 7dBi

**MECHANICAL**

ANTENNA BASE: ABS  
 ANTENNA COVER: ABS  
 STORAGE TEMPERATURE: -30°C~75°C  
 OPERATING TEMPERATURE: -20°C~65°C  
 STANDARD CONNECTOR: RP SMA MALE

**Prohibit re-circulating**

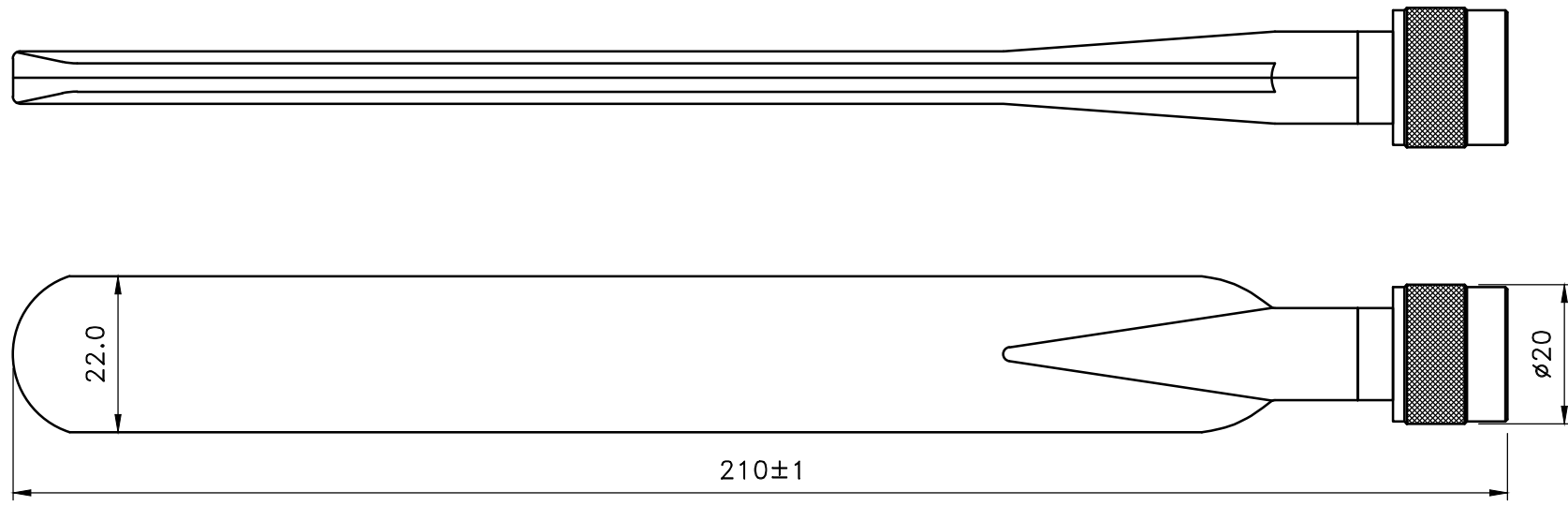


 華耀科技有限公司  
 Hwa Yao Technologies co.,Ltd

NOTE	DIMENSION	TITLE	
1.1.STRIP ALL BURRS. 2.ALL DIMENSIONS ARE AFTER PLATING. 3.DIAMETERS ON COMMON CENTERS. TO BE CONCENTRIC WITHIN 0.1 T.I.R 4.CHAMFER 1ST & LAST THREADS 45°. 5.BREAK ALL CONNERS & EDGES CO.15 MAX.	UNLESS OTHERWISE NOTED TOLERANCES	5GHz Dipole Antenna 7dBi	
	X=±0.3	DRAWING NO. DA-5000-07	
	0.X=±0.2	APPROVED	DRAWN DATE 01/04/13
	0.XX=±0.1	CHECKED	SCALE 1:1
		DRAWN ALICE	UNIT mm

\*All creative content and details belonging to HYT's confidential, and the owner, without consent, Do not posted, theft, copied and sent to a third party.\*

REV	DATE	DESCRIPTION	DRAWN
▲			



PRODUCT NO:DA-5000-07

**ELECTRIC**

FREQUENCY: 5GHz  
 RETURN LOSS: -10dB MAX  
 CERTAIN DIRECTION: OMNI  
 IMPEDANCE: 50 ohm  
 VSWR: 2.0 MAX  
 MAX GAIN: 7dBi

**MECHANICAL**

ANTENNA BASE: ABS  
 ANTENNA COVER: ABS  
 STORAGE TEMPERATURE: -30°C~75°C  
 OPERATING TEMPERATURE: -20°C~65°C  
 STANDARD CONNECTOR: N MALE

**Prohibit re-circulating**



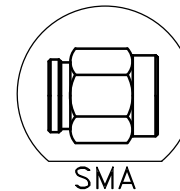
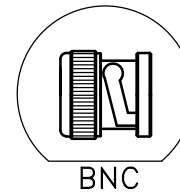
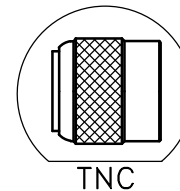
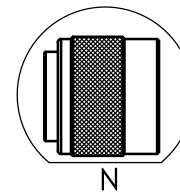
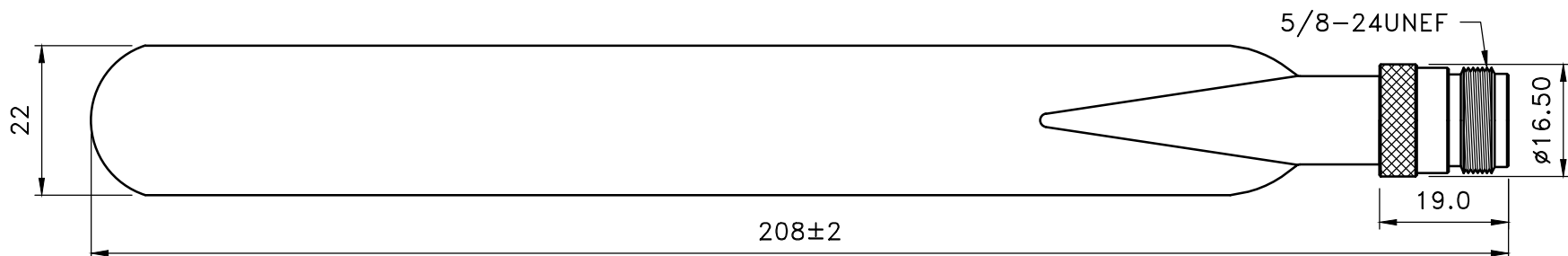
 華耀科技有限公司  
 Hwa Yao Technologies co.,Ltd

NOTE	DIMENSION
1.1.STRIP ALL BURRS. 2.ALL DIMENSIONS ARE AFTER PLATING. 3.DIAMETERS ON COMMON CENTERS. 4.CHAMFER 1ST & LAST THREADS 45°. TO BE CONCENTRIC WITHIN 0.1 T.I.R 5.BREAK ALL CONNERS & EDGES CO.15 MAX.	UNLESS OTHERWISE NOTED TOLERANCES  X=±0.3 0.X=±0.2 0.XX=±0.1

TITLE 5GHz Dipole Antenna 7dBi	
DRAWING NO. DA-5000-07	
APPROVED	DRAWN DATE 01/04/13
CHECKED	SCALE 1:1
DRAWN ALICE	UNIT mm

\*All creative content and details belonging to HYT's confidential, and the owner, without consent, Do not posted, theft, copied and sent to a third party.\*

REV	DATE	DESCRIPTION	DRAWN
△			



PRODUCT NO:DA-5000-07

**ELECTRIC**

FREQUENCY: 5GHz  
 RETURN LOSS: -10dB MAX  
 CERTAIN DIRECTION: OMNI  
 IMPEDANCE: 50 ohm  
 VSWR: 2.0 MAX  
 MAX GAIN: 7dBi

**MECHANICAL**

ANTENNA BASE: ABS  
 ANTENNA COVER: ABS  
 STORAGE TEMPERATURE: -30°C~75°C  
 OPERATING TEMPERATURE: -20°C~65°C  
 STANDARD CONNECTOR: N FEMALE

**Prohibit re-circulating**



 華耀科技有限公司  
 Hwa Yao Technologies co.,Ltd

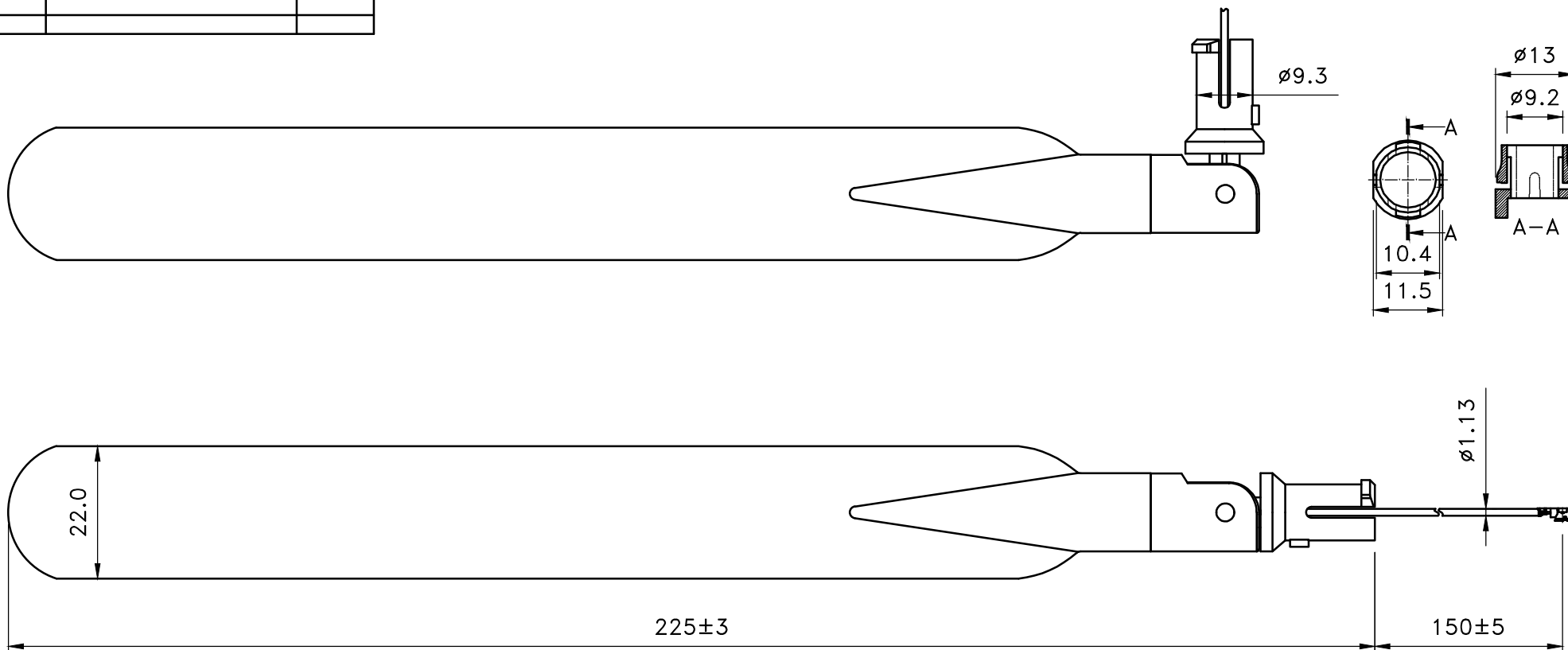
TITLE 5GHz Dipole Antenna 7dBi	
DRAWING NO. DA-5000-07	
APPROVED	DRAWN DATE 01/04/13
CHECKED	SCALE 1:1
DRAWN ALICE	UNIT mm

NOTE	DIMENSION
1. STRIP ALL BURRS.	UNLESS OTHERWISE NOTED TOLERANCES X=±0.3 O.X=±0.2 O.XX=±0.1
2. ALL DIMENSIONS ARE AFTER PLATING.	
3. DIAMETERS ON COMMON CENTERS.	
4. CHAMFER 1ST & LAST THREADS 45°	
5. BREAK ALL CONNERS & EDGES CO.15 MAX.	

\*All creative content and details belonging to HYT's confidential, and the owner, without consent, Do not posted, theft, copied and sent to a third party.\*



REV	DATE	DESCRIPTION	DRAWN
△			



PRODUCT NO:DA-5000-07

**ELECTRIC**

FREQUENCY: 5GHz  
 RETURN LOSS: -10dB MAX  
 CERTAIN DIRECTION: OMNI  
 IMPEDANCE: 50 ohm  
 VSWR: 2.0 MAX  
 MAX GAIN: 7dBi

**MECHANICAL**

ANTENNA BASE: ABS  
 ANTENNA COVER: ABS  
 STORAGE TEMPERATURE: -30°C~75°C  
 OPERATING TEMPERATURE: -20°C~65°C  
 STANDARD CONNECTOR: IPEX

**Prohibit re-circulating**



 華耀科技有限公司  
 Hwa Yao Technologies co.,Ltd

TITLE 5GHz Dipole Antenna 7dBi	
DRAWING NO. DA-5000-07	
APPROVED	DRAWN DATE 01/04/13
CHECKED	SCALE 1:1
DRAWN ALICE	UNIT mm

NOTE	DIMENSION
1.STRIP ALL BURRS. 2.ALL DIMENSIONS ARE AFTER PLATING. 3.DIAMETERS ON COMMON CENTERS. 4.CHAMFER 1ST & LAST THREADS 45° 5.BREAK ALL CONNERS & EDGES CO.15 MAX.	UNLESS OTHERWISE NOTED TOLERANCES X=±0.3 O.X=±0.2 O.XX=±0.1

\*All creative content and details belonging to HYT's confidential, and the owner, without consent, Do not posted, theft, copied and sent to a third party.\*