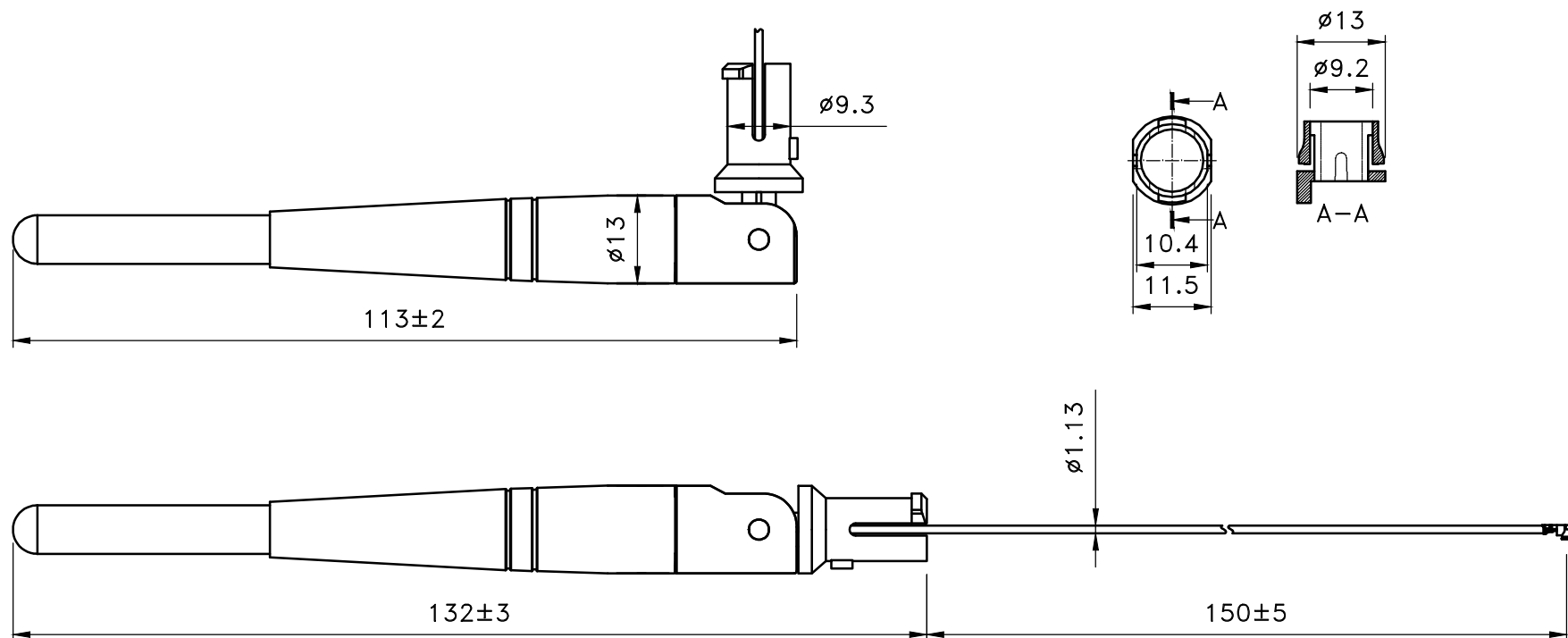


REV	DATE	DESCRIPTION	DRAWN
△			



PRODUCT NO:DA-DB-02-05

ELECTRIC

FREQUENCY: 5GHz
 RETURN LOSS: -10dB MAX
 CERTAIN DIRECTION: OMNI
 IMPEDANCE: 50 ohm
 VSWR: 2.0 MAX
 MAX GAIN: 2dBi

MECHANICAL

ANTENNA BASE: ABS
 ANTENNA COVER: ABS
 STORAGE TEMPERATURE: -30°C~75°C
 OPERATING TEMPERATURE: -20°C~65°C
 STANDARD CONNECTOR: IPEX

Prohibit re-circulating



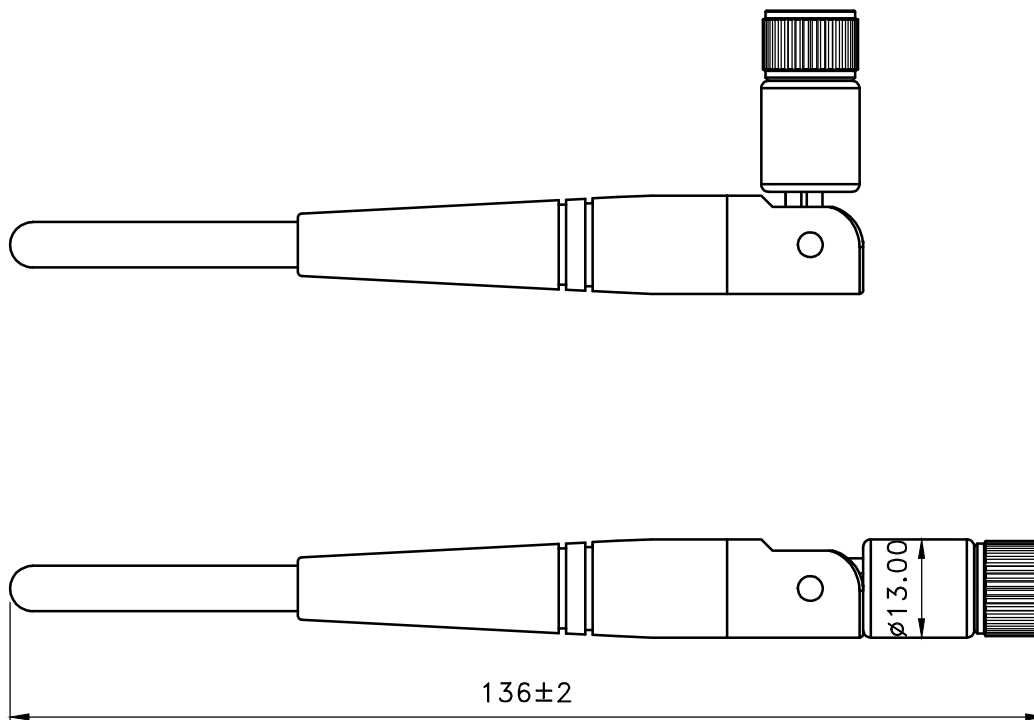
 華耀科技有限公司
 Hwa Yao Technologies co.,Ltd

TITLE 2.4/5GHz Dipole Antenna 2dBi	
DRAWING NO. DA-DB-02-05	
APPROVED	DRAWN DATE 01/04/13
CHECKED	SCALE 1:1
DRAWN ALICE	UNIT mm

NOTE	DIMENSION
1. STRIP ALL BURRS.	UNLESS OTHERWISE NOTED TOLERANCES X=±0.3 0.X=±0.2 0.XX=±0.1
2. ALL DIMENSIONS ARE AFTER PLATING.	
3. DIAMETERS ON COMMON CENTERS.	
4. CHAMFER 1ST & LAST THREADS 45°.	
5. BREAK ALL CONNERS & EDGES CO.15 MAX.	

All creative content and details belonging to HYT's confidential, and the owner, without consent, Do not posted, theft, copied and sent to a third party.

REV	DATE	DESCRIPTION	DRAWN
△			



PRODUCT NO:DA-DB-03-RP-SMA

ELECTRIC

FREQUENCY: 2.4/5GHz
 RETURN LOSS: -10dB MAX
 CERTAIN DIRECTION: OMNI
 IMPEDANCE: 50 ohm
 VSWR: 2.0 MAX
 MAX GAIN: 3dBi

MECHANICAL

ANTENNA BASE: ABS
 ANTENNA COVER: ABS
 STORAGE TEMPERATURE: -30°C~75°C
 OPERATING TEMPERATURE: -20°C~65°C
 STANDARD CONNECTOR: RP SMA MALE

Prohibit re-circulating



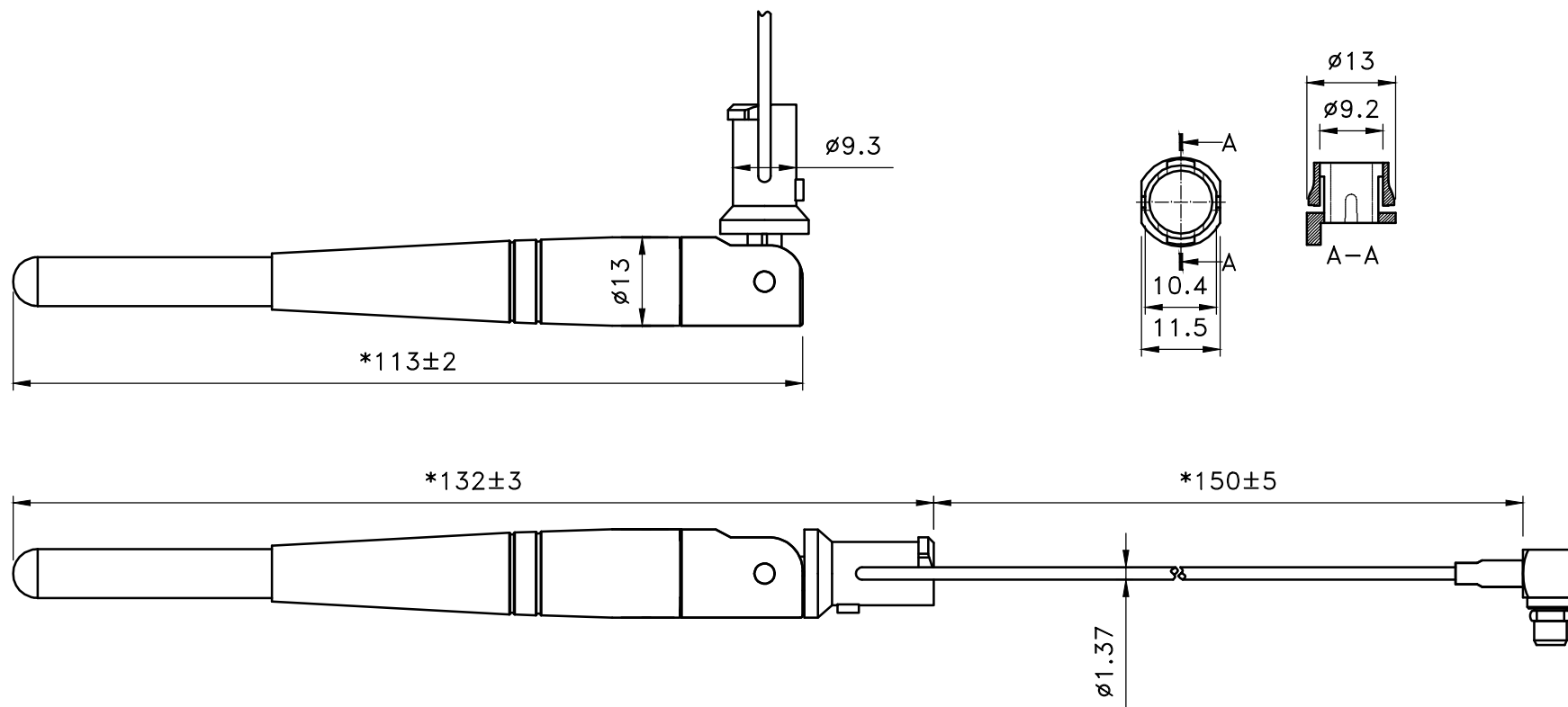
 華耀科技有限公司
 Hwa Yao Technologies co.,Ltd

TITLE 2.4/5GHz Dipole Antenna 3dBi	
DRAWING NO. DA-DB-03RP-SMA	
APPROVED	DRAWN DATE 01/04/13
CHECKED	SCALE 1:1
DRAWN ALICE	UNIT mm

NOTE	DIMENSION
1.STRIP ALL BURRS. 2.ALL DIMENSIONS ARE AFTER PLATING. 3.DIAMETERS ON COMMON CENTERS. 4.CHAMFER 1ST & LAST THREADS 45° 5.BREAK ALL CONNERS & EDGES CO.15 MAX.	UNLESS OTHERWISE NOTED TOLERANCES X=±0.3 O.X=±0.2 O.XX=±0.1

All creative content and details belonging to HYT's confidential, and the owner, without consent, Do not posted, theft, copied and sent to a third party.

REV	DATE	DESCRIPTION	DRAWN
△			



PRODUCT NO:DA-DB-03-03

ELECTRIC

FREQUENCY: 2.4/5GHz
 RETURN LOSS: -10dB MAX
 CERTAIN DIRECTION: OMNI
 IMPEDANCE: 50 ohm
 VSWR: 2.0 MAX
 MAX GAIN: 3dBi

MECHANICAL

ANTENNA BASE: ABS
 ANTENNA COVER: ABS
 STORAGE TEMPERATURE: -30°C~75°C
 OPERATING TEMPERATURE: -20°C~65°C
 STANDARD CONNECTOR: MMCX MALE

Prohibit re-circulating



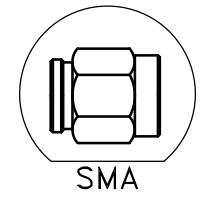
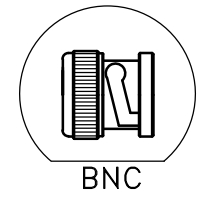
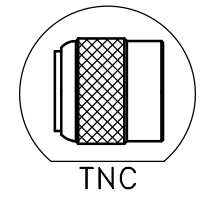
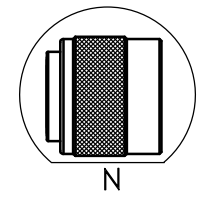
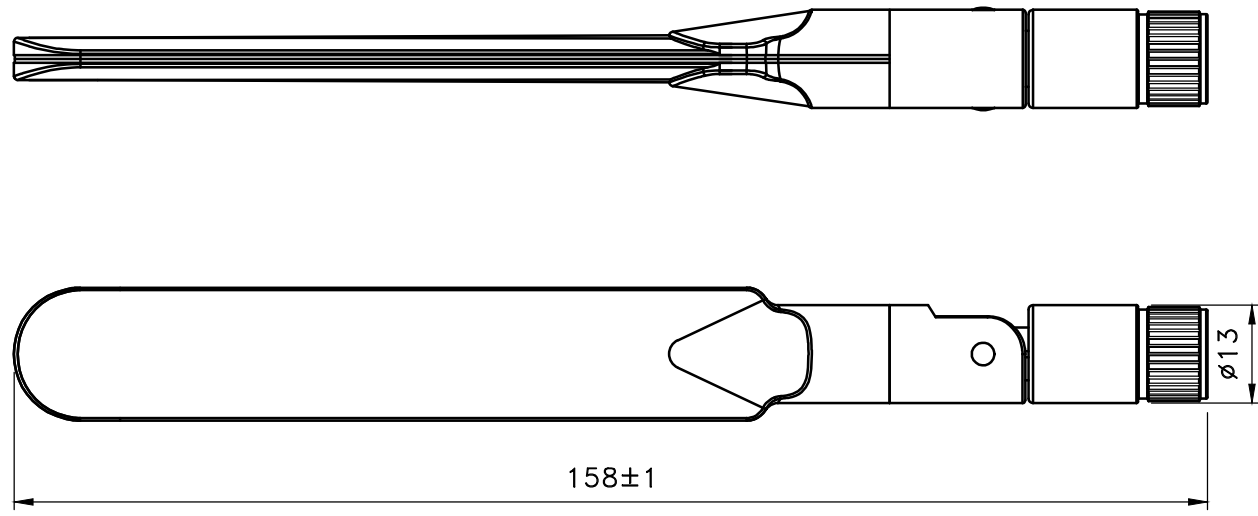
 華耀科技有限公司
 Hwa Yao Technologies co.,Ltd

TITLE 2.4/5GHz Dipole Antenna 3dBi	
DRAWING NO. DA-DB-03-03	
APPROVED	DRAWN DATE 01/04/13
CHECKED	SCALE 1:1
DRAWN ALICE	UNIT mm

NOTE	DIMENSION
1. STRIP ALL BURRS.	UNLESS OTHERWISE NOTED TOLERANCES X=±0.3 0.X=±0.2 0.XX=±0.1
2. ALL DIMENSIONS ARE AFTER PLATING.	
3. DIAMETERS ON COMMON CENTERS.	
4. CHAMFER 1ST & LAST THREADS 45°	
5. BREAK ALL CONNERS & EDGES CO.15 MAX.	

All creative content and details belonging to HYT's confidential, and the owner, without consent, Do not posted, theft, copied and sent to a third party.

REV	DATE	DESCRIPTION	DRAWN
▲			



PRODUCT NO: DA-DB-05RP-SMA

ELECTRIC

FREQUENCY: 2.4/5GHz
 RETURN LOSS: -10dB MAX
 CERTAIN DIRECTION: OMNI
 IMPEDANCE: 50 ohm
 VSWR: 2.0 MAX
 MAX GAIN: 5dBi

MECHANICAL

ANTENNA BASE: ABS
 ANTENNA COVER: ABS
 STORAGE TEMPERATURE: -30°C~75°C
 OPERATING TEMPERATURE: -20°C~65°C
 STANDARD CONNECTOR: RP SMA MALE

Prohibit re-circulating

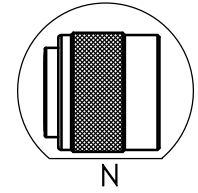
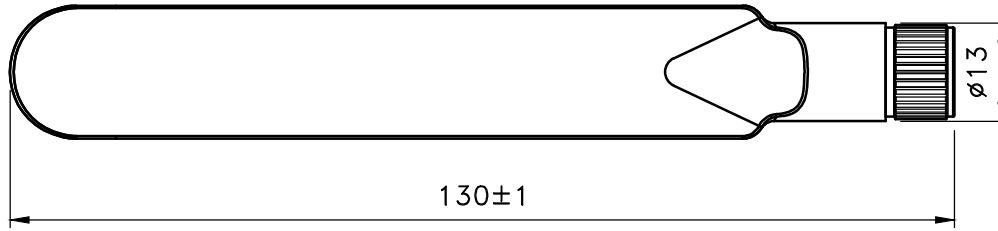


 華耀科技有限公司
 Hwa Yao Technologies co.,Ltd

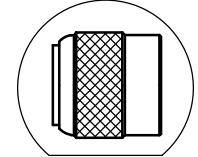
NOTE	DIMENSION	TITLE	
1.1.STRIP ALL BURRS. 2.ALL DIMENSIONS ARE AFTER PLATING. 3.DIAMETERS ON COMMON CENTERS. TO BE CONCENTRIC WITHIN 0.1 T.I.R 4.CHAMFER 1ST & LAST THREADS 45°. 5.BREAK ALL CONNERS & EDGES CO.15 MAX.	UNLESS OTHERWISE NOTED TOLERANCES	2.4/5GHz Dipole Antenna 5dBi	
	X=±0.3	DRAWING NO. DA-DB-05RP-SMA	
	0.X=±0.2	APPROVED	DRAWN DATE 01/04/13
	0.XX=±0.1	CHECKED	SCALE
		DRAWN ALICE	UNIT mm

All creative content and details belonging to HYT's confidential, and the owner, without consent, Do not posted, theft, copied and sent to a third party.

REV	DATE	DESCRIPTION	DRAWN
▲			



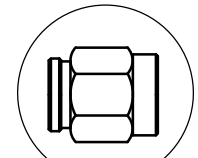
N



TNC



BNC



SMA

PRODUCT NO: DA-DB-05RP-SMA-01

ELECTRIC

FREQUENCY: 2.4/5GHz
 RETURN LOSS: -10dB MAX
 CERTAIN DIRECTION: OMNI
 IMPEDANCE: 50 ohm
 VSWR: 2.0 MAX
 MAX GAIN: 5dBi

MECHANICAL

ANTENNA BASE: ABS
 ANTENNA COVER: ABS
 STORAGE TEMPERATURE: -30°C~75°C
 OPERATING TEMPERATURE: -20°C~65°C
 STANDARD CONNECTOR: RP SMA MALE

Prohibit re-circulating

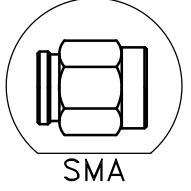
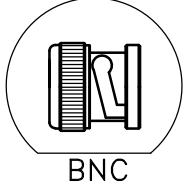
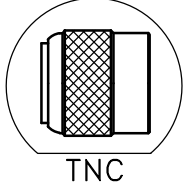
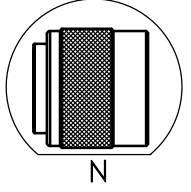
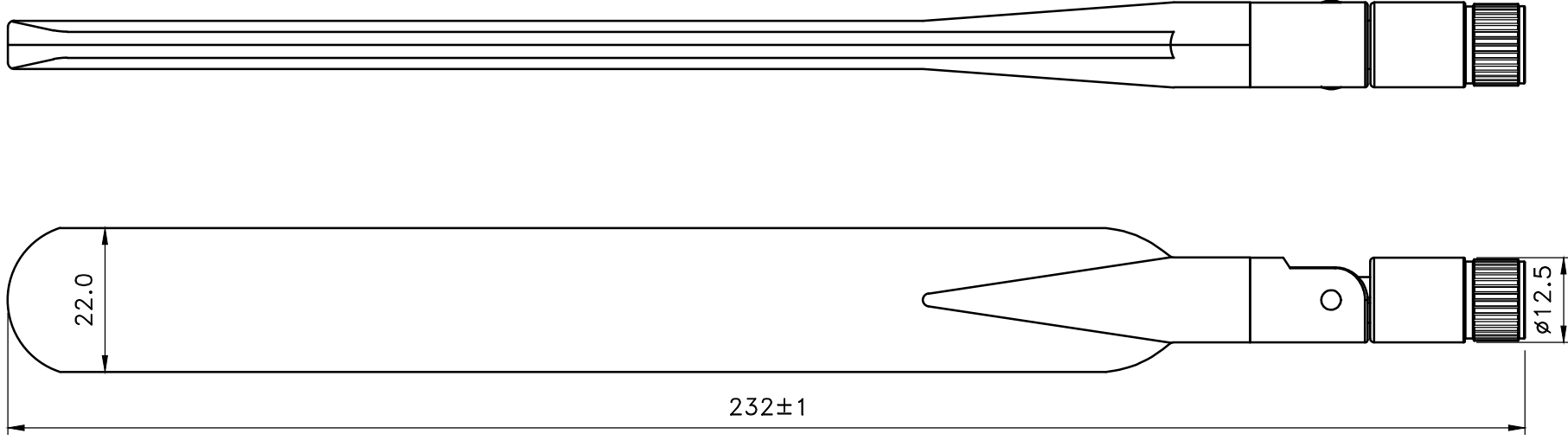


華耀科技有限公司
 Hwa Yao Technologies co.,Ltd

NOTE	DIMENSION	TITLE	
1. STRIP ALL BURRS. 2. ALL DIMENSIONS ARE AFTER PLATING. 3. DIAMETERS ON COMMON CENTERS. TO BE CONCENTRIC WITHIN 0.1 T.I.R 4. CHAMFER 1ST & LAST THREADS 45°. 5. BREAK ALL CONNERS & EDGES CO.15 MAX.	UNLESS OTHERWISE NOTED TOLERANCES	2.4/5GHz Dipole Antenna 5dBi	
	X=±0.3	DRAWING NO. DA-DB-05RP-SMA-01	
	0.X=±0.2	APPROVED	DRAWN DATE 01/04/13
	0.XX=±0.1	CHECKED	SCALE
		DRAWN ALICE	UNIT mm

All creative content and details belonging to HYT's confidential, and the owner, without consent, Do not posted, theft, copied and sent to a third party.

REV	DATE	DESCRIPTION	DRAWN
▲			



PRODUCT NO: DA-DB-07RP-SMA-01

ELECTRIC

FREQUENCY: 2.4/5GHz
 RETURN LOSS: -10dB MAX
 CERTAIN DIRECTION: OMNI
 IMPEDANCE: 50 ohm
 VSWR: 2.0 MAX
 MAX GAIN: 7dBi

MECHANICAL

ANTENNA BASE: ABS
 ANTENNA COVER: ABS
 STORAGE TEMPERATURE: -30°C~75°C
 OPERATING TEMPERATURE: -20°C~65°C
 STANDARD CONNECTOR: RP SMA MALE

Prohibit re-circulating



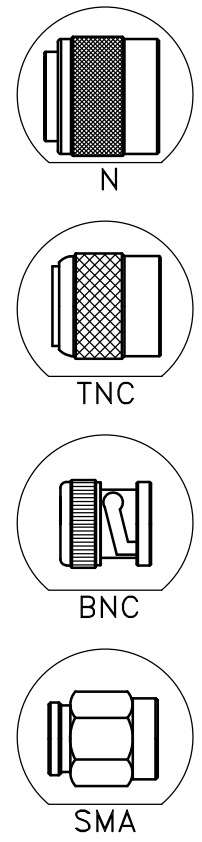
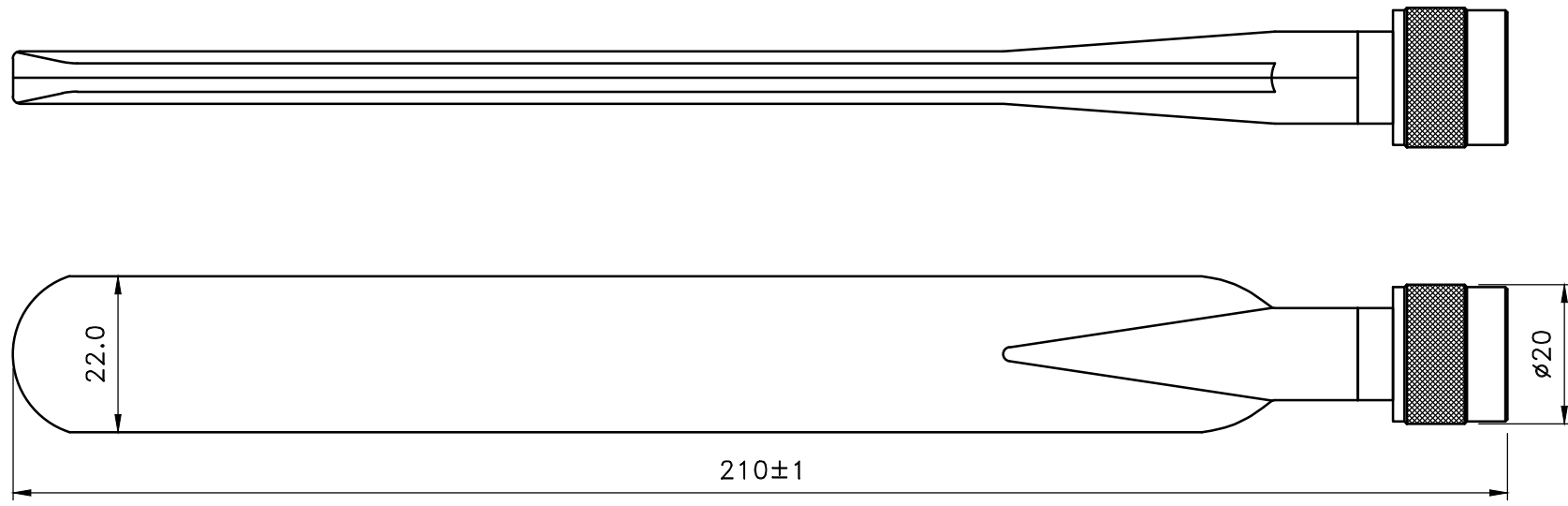
 華耀科技有限公司
 Hwa Yao Technologies co.,Ltd

NOTE	DIMENSION
1.1.STRIP ALL BURRS. 2.ALL DIMENSIONS ARE AFTER PLATING. 3.DIAMETERS ON COMMON CENTERS. 4.CHAMFER 1ST & LAST THREADS 45°. TO BE CONCENTRIC WITHIN 0.1 T.I.R 5.BREAK ALL CONNERS & EDGES CO.15 MAX.	UNLESS OTHERWISE NOTED TOLERANCES X=±0.3 0.X=±0.2 0.XX=±0.1

TITLE 2.4/5GHz Dipole Antenna 7dBi	
DRAWING NO. DA-DB-07RP-SMA-01	
APPROVED	DRAWN DATE 01/04/13
CHECKED	SCALE 1:1
DRAWN ALICE	UNIT mm

All creative content and details belonging to HYT's confidential, and the owner, without consent, Do not posted, theft, copied and sent to a third party.

REV	DATE	DESCRIPTION	DRAWN
▲			



PRODUCT NO: DA-DB-07N-M

ELECTRIC

FREQUENCY: 2.4/5GHz
 RETURN LOSS: -10dB MAX
 CERTAIN DIRECTION: OMNI
 IMPEDANCE: 50 ohm
 VSWR: 2.0 MAX
 MAX GAIN: 7dBi

MECHANICAL

ANTENNA BASE: ABS
 ANTENNA COVER: ABS
 STORAGE TEMPERATURE: -30°C~75°C
 OPERATING TEMPERATURE: -20°C~65°C
 STANDARD CONNECTOR: N MALE

Prohibit re-circulating

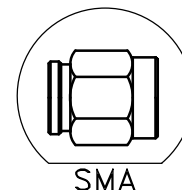
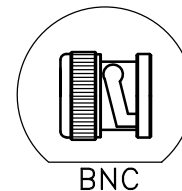
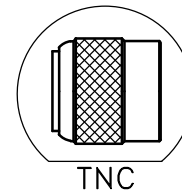
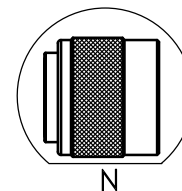
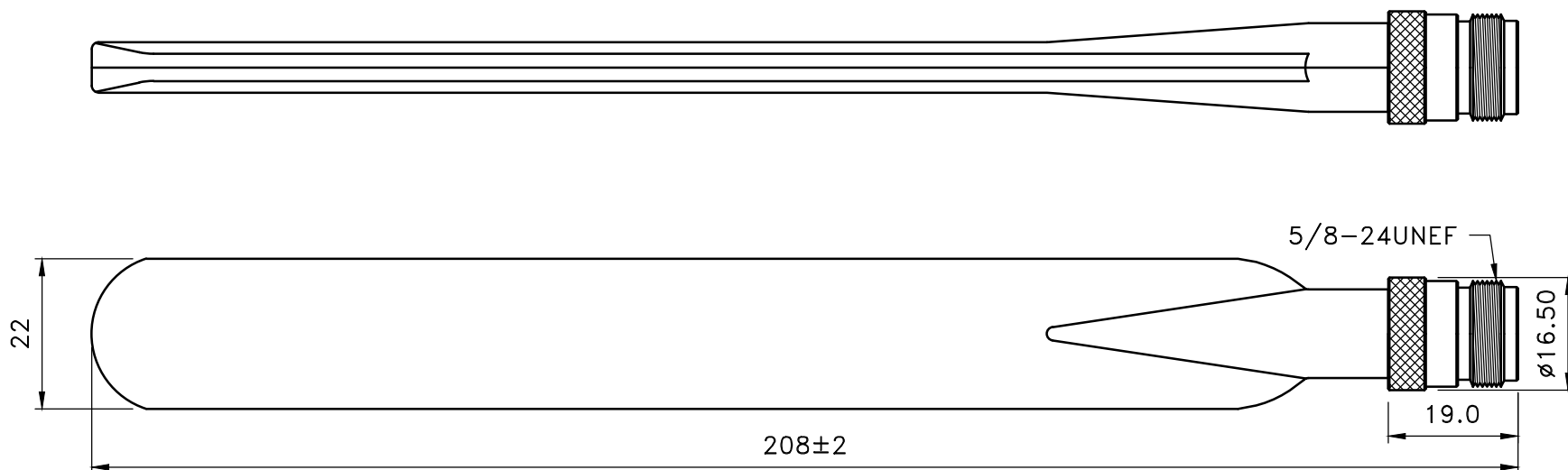


 華耀科技有限公司
 Hwa Yao Technologies co.,Ltd

NOTE	DIMENSION	TITLE	
1.1.STRIP ALL BURRS. 2.ALL DIMENSIONS ARE AFTER PLATING. 3.DIAMETERS ON COMMON CENTERS. TO BE CONCENTRIC WITHIN 0.1 T.I.R 4.CHAMFER 1ST & LAST THREADS 45°. 5.BREAK ALL CONNERS & EDGES CO.15 MAX.	UNLESS OTHERWISE NOTED TOLERANCES	2.4/5GHz Dipole Antenna 7dBi	
	X=±0.3	DRAWING NO. DA-DB-07N-M	
	0.X=±0.2	APPROVED	DRAWN DATE 01/04/13
	0.XX=±0.1	CHECKED	SCALE 1:1
		DRAWN ALICE	UNIT mm

All creative content and details belonging to HYT's confidential, and the owner, without consent, Do not posted, theft, copied and sent to a third party.

REV	DATE	DESCRIPTION	DRAWN
△			



PRODUCT NO:DA-DB-07N-F

ELECTRIC

FREQUENCY: 2.4/5GHz
 RETURN LOSS: -10dB MAX
 CERTAIN DIRECTION: OMNI
 IMPEDANCE: 50 ohm
 VSWR: 2.0 MAX
 MAX GAIN: 7dBi

MECHANICAL

ANTENNA BASE: ABS
 ANTENNA COVER: ABS
 STORAGE TEMPERATURE: -30°C~75°C
 OPERATING TEMPERATURE: -20°C~65°C
 STANDARD CONNECTOR: N FEMALE

Prohibit re-circulating



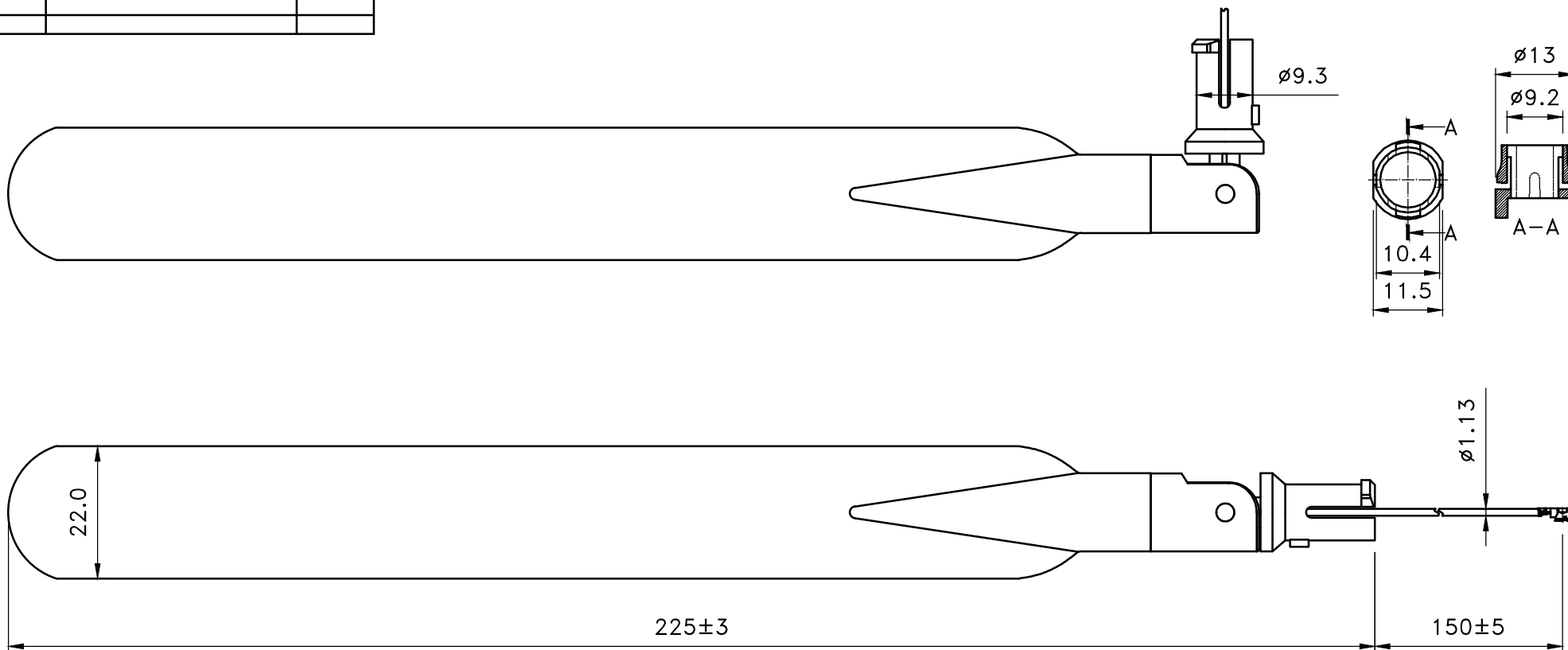
 華耀科技有限公司
 Hwa Yao Technologies co.,Ltd

TITLE 2.4/5GHz Dipole Antenna 7dBi	
DRAWING NO. DA-DB-07N-F	
APPROVED	DRAWN DATE 01/04/13
CHECKED	SCALE 1:1
DRAWN ALICE	UNIT mm

NOTE	DIMENSION
1. STRIP ALL BURRS.	UNLESS OTHERWISE NOTED TOLERANCES X=±0.3 O.X=±0.2 O.XX=±0.1
2. ALL DIMENSIONS ARE AFTER PLATING.	
3. DIAMETERS ON COMMON CENTERS.	
4. CHAMFER 1ST & LAST THREADS 45°.	
5. BREAK ALL CONNERS & EDGES CO.15 MAX.	

All creative content and details belonging to HYT's confidential, and the owner, without consent, Do not posted, theft, copied and sent to a third party.

REV	DATE	DESCRIPTION	DRAWN
△			



PRODUCT NO:DA-DB-07N-F

ELECTRIC

FREQUENCY: 2.4/5GHz
 RETURN LOSS: -10dB MAX
 CERTAIN DIRECTION: OMNI
 IMPEDANCE: 50 ohm
 VSWR: 2.0 MAX
 MAX GAIN: 7dBi

MECHANICAL

ANTENNA BASE: ABS
 ANTENNA COVER: ABS
 STORAGE TEMPERATURE: -30°C~75°C
 OPERATING TEMPERATURE: -20°C~65°C
 STANDARD CONNECTOR: IPEX

Prohibit re-circulating



 華耀科技有限公司
 Hwa Yao Technologies co.,Ltd

TITLE 2.4/5GHz Dipole Antenna 7dBi	
DRAWING NO. DA-DB-07IPEX-150	
APPROVED	DRAWN DATE 01/04/13
CHECKED	SCALE 1:1
DRAWN ALICE	UNIT mm

NOTE	DIMENSION
1.STRIP ALL BURRS. 2.ALL DIMENSIONS ARE AFTER PLATING. 3.DIAMETERS ON COMMON CENTERS. 4.CHAMFER 1ST & LAST THREADS 45° 5.BREAK ALL CONNERS & EDGES CO.15 MAX.	UNLESS OTHERWISE NOTED TOLERANCES X=±0.3 O.X=±0.2 O.XX=±0.1

All creative content and details belonging to HYT's confidential, and the owner, without consent, Do not posted, theft, copied and sent to a third party.