

2.4Ghz MIMO OMNI Antenna II with Gain 12dBi for N FEMALE MOAII-2450-12N-FM01

APPLICATIONS AND FEATURES

Applications:

- 2.4~2.5 GHz Applications
- IEEE 802.11b/g/n MIMO Wireless LAN
- Public Wireless Hotspot
- Directional and multipoint applications
- Wi-Fi, RFID
- Wireless Video Systems
- Bluetooth



Features :

- RoHS Compliant
- The Weight is light
- Heavy Duty mounting
- Superior Performance
- Good appearance design
- Installed for vertical or horizontal polarization

SPECIFICATIONS:

Electrical Specifications

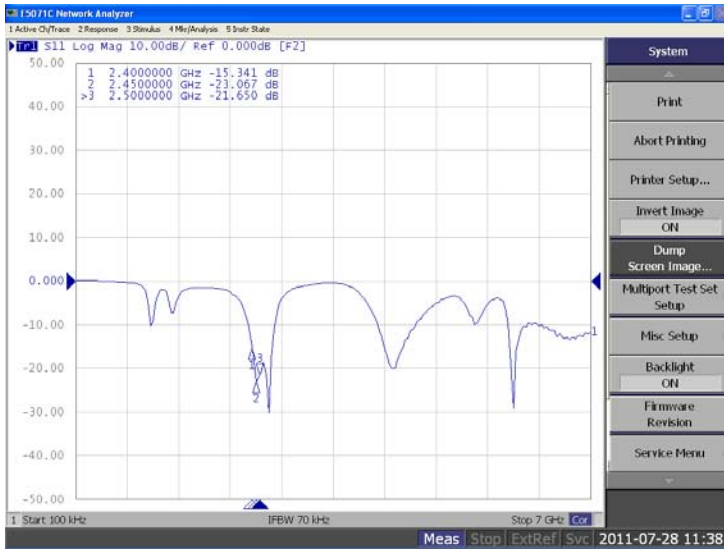
Frequency Range	2400~2500MHz
V.S.W.R	$\leq 1.5:1$
Return Loss	$\geq -14\text{db}$
Antenna Type	Collinear
Gain	12 dBi
Polarization	Vertical
Maximum Power	50W
Vertical Beam-with	28°
Horizontal Beam-with	360°
Impedance	50Ω
Connector	N female x 3

Mechanical Specifications

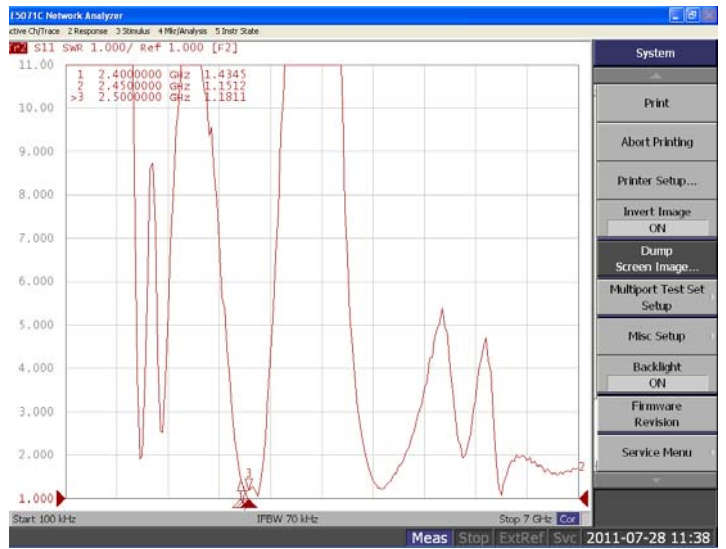
Length	215 mm
Diameter	114 mm
Weight	580g
Wind Survival	> 120 MPH
Radome Material	ABS + UV resistance
Clamps	Multiple options
Mounting	Multiple options
Operating Temperature	-40°C to +80°C

TESTING REPORT

Return Loss

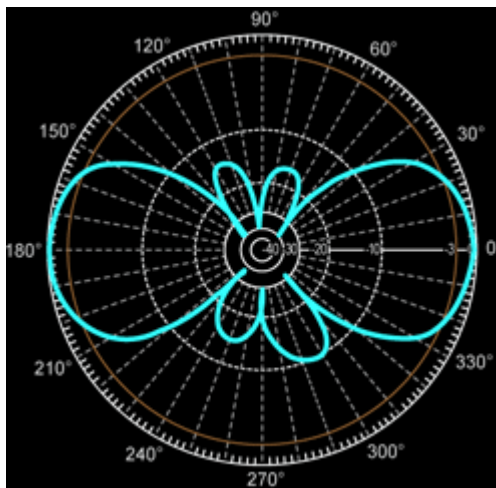


V.S.W.R

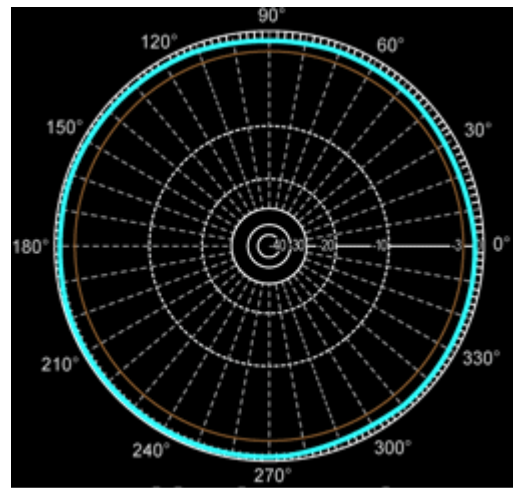


Antenna Vertical & Horizontal Pattern

Vertical



Horizontal



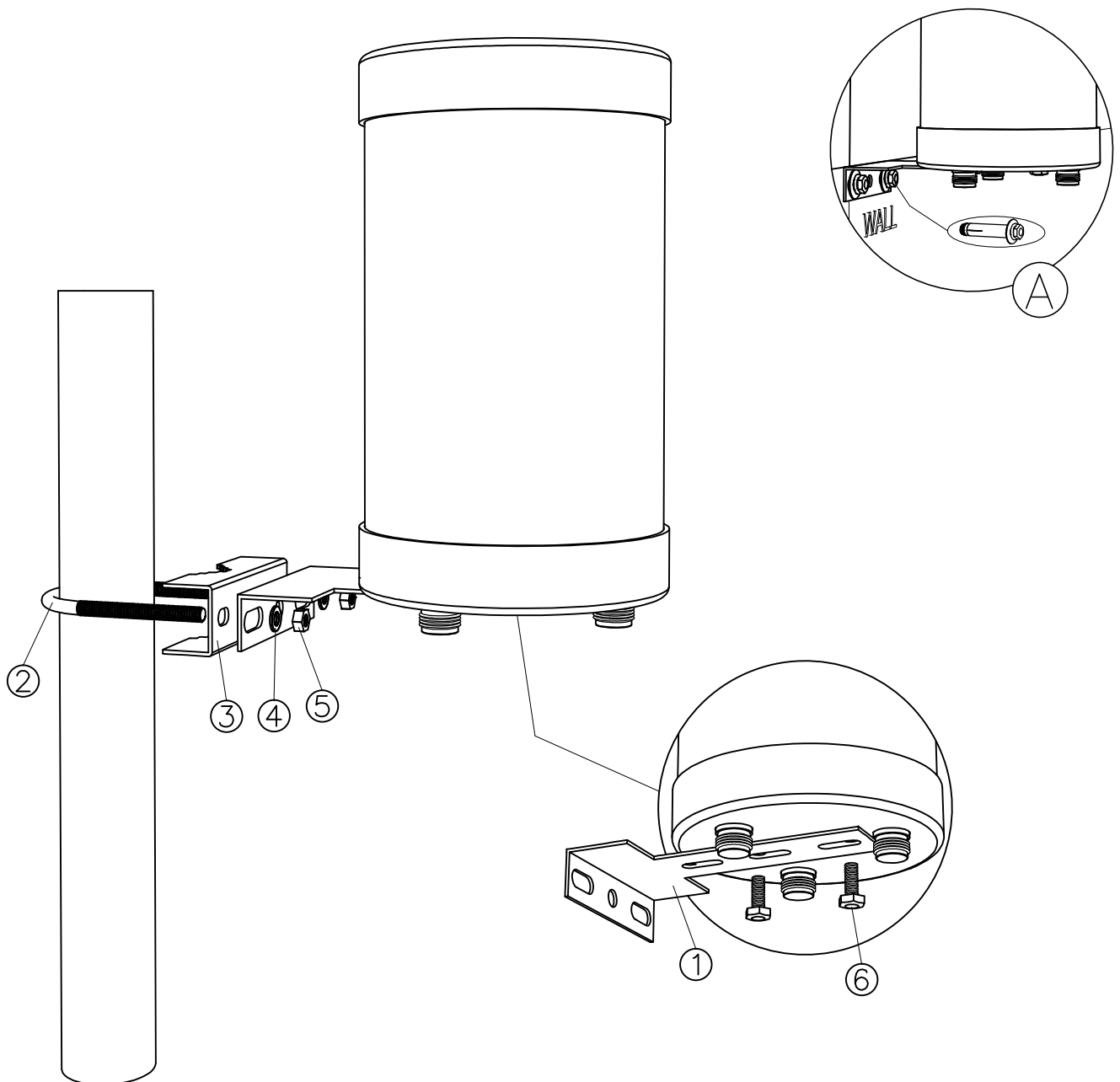
Hwayaotek

NO.6 ,Ln.48, Nanxing Rd., Yongkang Dist,
Tainan City 710, Taiwan (R.O.C)

TEL: +886-6-2712809
FAX: +886-6-2712870
<http://www.hwayaotek.com.tw>
Email:sales@hwayaotek.com.tw

2.4Ghz MIMO OMNI Antenna II

OPTION



ACCESSORIES

① * 1 PC

② * 1 PC

③ * 1 PC

④ * 2 PC

⑤ * 2 PC

⑥ * 2 PC