

2.4GHz MIMO OMNI Antenna II with Gain 15dBi for N FEMALE MOAII-2450-15N-FM01

APPLICATIONS AND FEATURES

Applications:

- 2.4GHz-2.5GHz 15dBi ISM Band
- IEEE 802.11b, 802.11g, 802.11n Wireless LAN
- Directional and multipoint applications
- Bluetooth 、 Wi-Fi 、 RFID
- Public Wireless Hotspot
- Wireless Video Systems

Features :

- Superior Performance
- The Weight is light
- Good appearance designs
- Installed for vertical or horizontal polarization
- Outdoor antenna for public Hot spots
- Heavy Duty mounting
- RoHS Compliant



SPECIFICATIONS:

Electrical Specifications

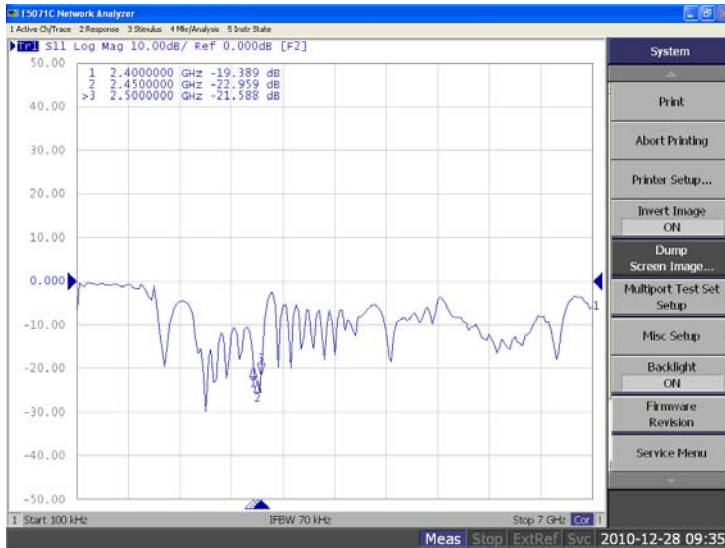
Frequency Range	2400~2483 MHz
V.S.W.R	≤ 1.5:1
Return Loss	≥ -14db
Antenna Type	PCB patch
Gain	15dBi
Polarization	Vertical
Maximum Power	50W
Vertical Beam-with	23°
Horizontal Beam-with	360°
Impedance	50Ω
Connector	N-Female x 2

Mechanical Specifications

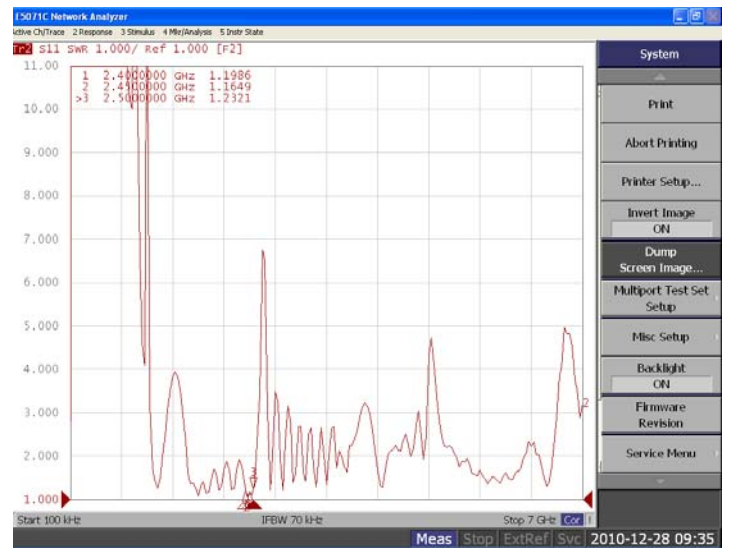
Lenght	415mm
Diameter	114mm
Weight	1100g
Wind Survival	> 150 MPH
Operating Temperature	-40°C to +80°C
Clamps	Multiple options
Mounting	Multiple options
RoHS Compliant	Yes

TESTING REPORT

Return Loss

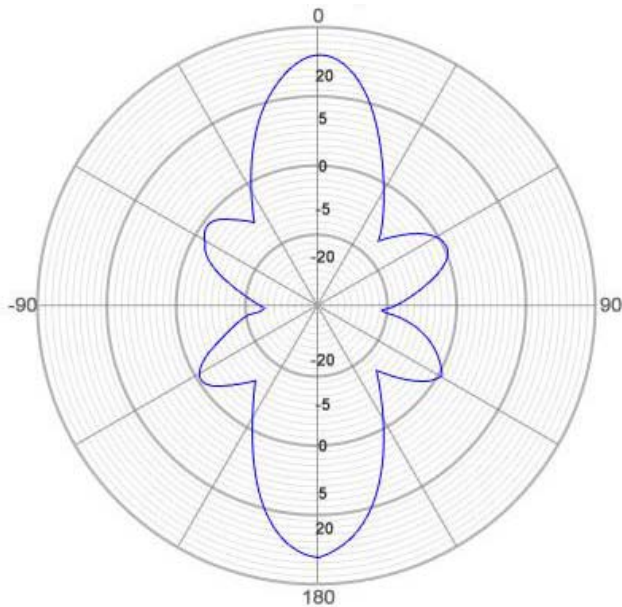


V.S.W.R

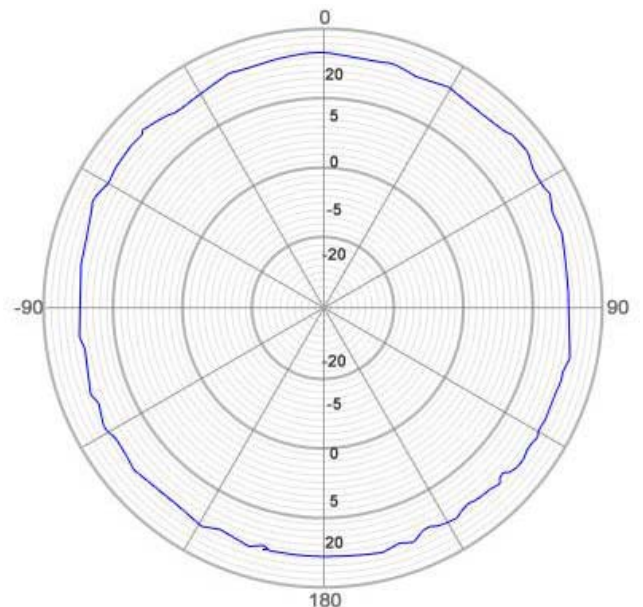


Antenna Vertical & Horizontal Pattern

Vertical



Horizontal



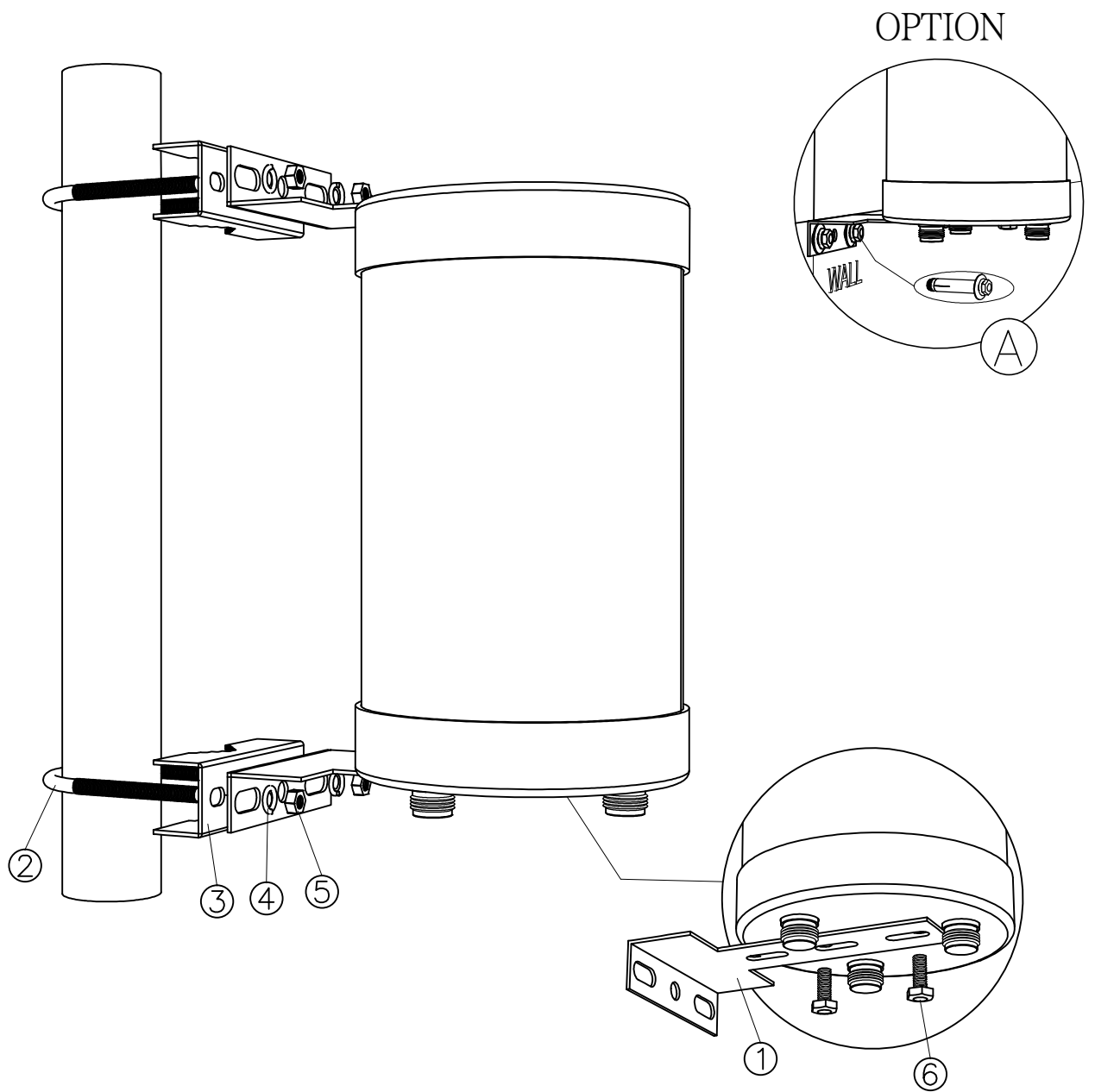
Hwayaotek

NO.6 ,Ln.48, Nanxing Rd., Yongkang Dist,
Tainan City 710, Taiwan (R.O.C)

TEL: +886-6-2712809
FAX: +886-6-2712870
<http://www.hwayaotek.com.tw>
Email:sales@hwayaotek.com.tw

All copyrights reserved All copyrights reserved All copyrights reserved All copyrights reserved

2.4Ghz MIMO OMNI Antenna II



ACCESSORIES


①  * 2 PC

②  * 2 PC

③  * 2 PC

④  * 4 PC

⑤  * 4 PC

⑥  * 4 PC