

5 Ghz MIMO OMNI Antenna II with Gain 8dBi for N FEMALE MOAII-5000-08N-FM01

APPLICATIONS AND FEATURES

Applications:

- 5.1~5.9 GHz Applications
- IEEE 802.11a Applications
- 802.16WiMax Networks
- Directional and multipoint applications
- Wi-Fi, Wimax , CDMA
- Wireless Video Systems

Features :

- RoHS Compliant
- The Weight is light
- Heavy Duty mounting
- Superior Performance
- Good appearance design
- Installed for vertical or horizontal polarization



SPECIFICATIONS:

Electrical Specifications

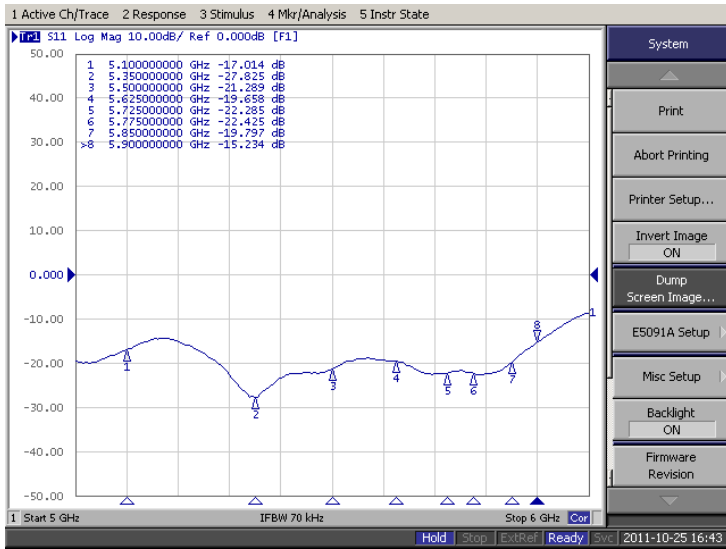
Frequency Range	5100-5900MHz
V.S.W.R	$\leq 1.5:1$
Return Loss	$\geq -14\text{db}$
Antenna Type	Collinear
Gain	8 dBi
Polarization	Vertical
Maximum Power	50W
Vertical Beam-with	26°
Horizontal Beam-with	360°
Impedance	50Ω
Connector	N female x 3

Mechanical Specifications

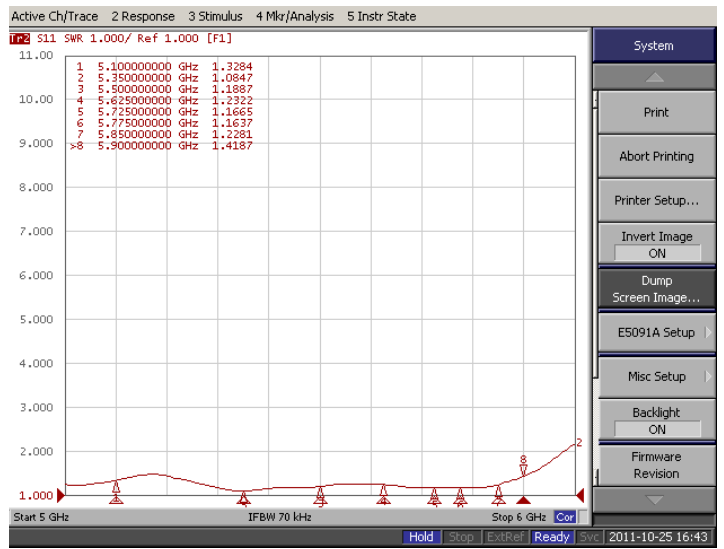
Length	215 mm
Diameter	114 mm
Weight	580g
Wind Survival	> 120 MPH
Radome Material	ABS + UV resistance
Clamps	Multiple options
Mounting	Multiple options
Operating Temperature	-40°C to +80°C

TESTING REPORT

Return Loss

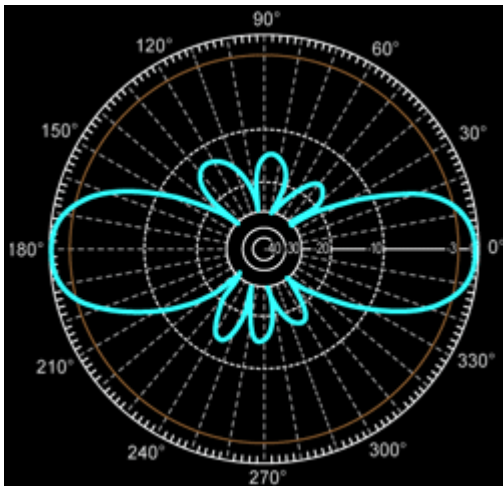


V.S.W.R

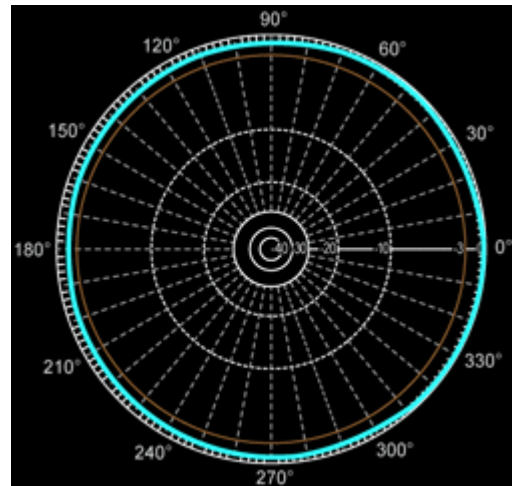


Antenna Vertical & Horizontal Pattern

Vertical



Horizontal



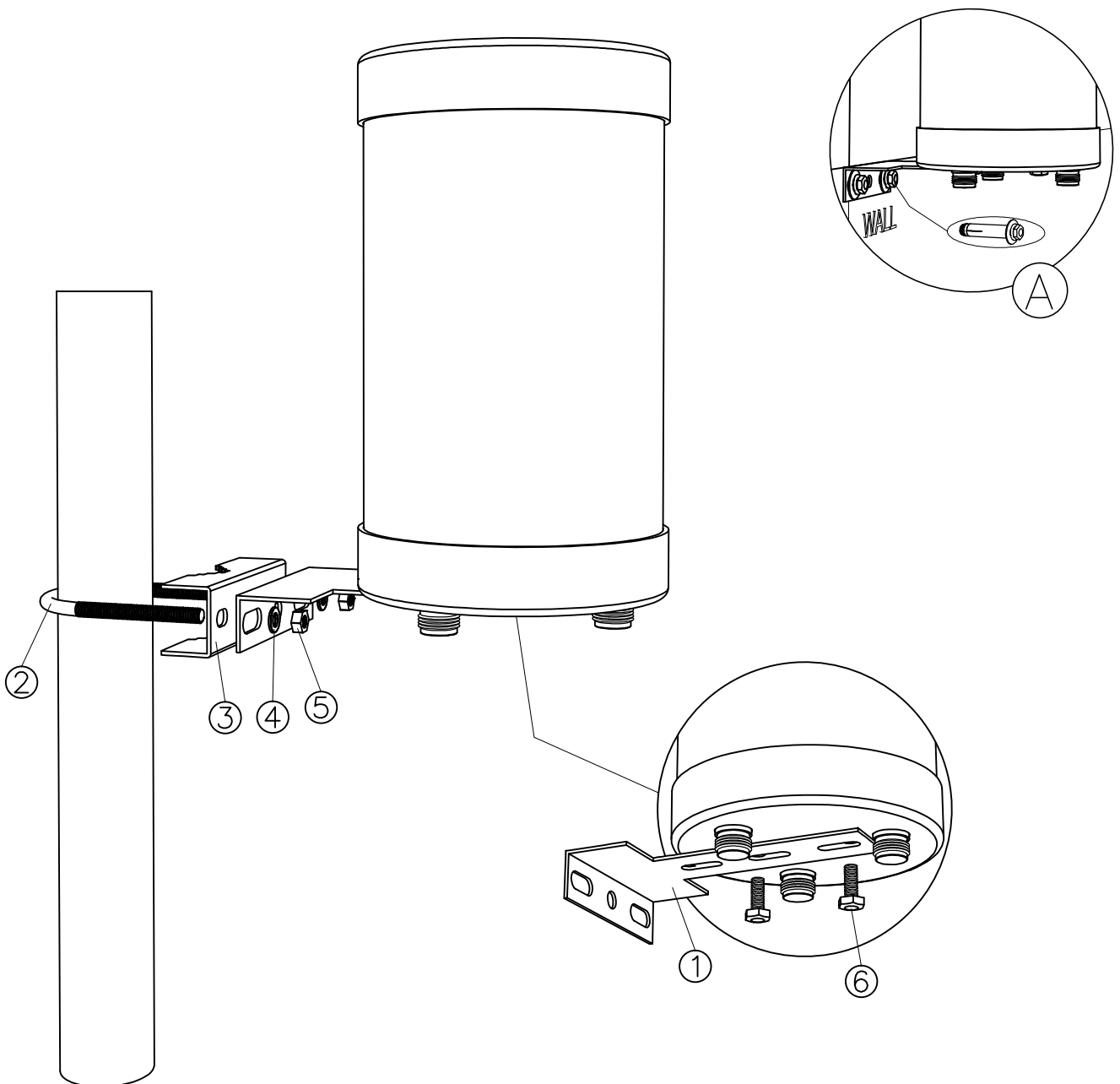
Hwayaotek

NO.6 ,Ln.48, Nanxing Rd., Yongkang Dist,
Tainan City 710, Taiwan (R.O.C)

TEL: +886-6-2712809
FAX: +886-6-2712870
<http://www.hwayaotek.com.tw>
Email:sales@hwayaotek.com.tw

5Ghz MIMO OMNI Antenna II

OPTION



ACCESSORIES

①  * 1 PC

③  * 1 PC

⑤  * 2 PC

②  * 1 PC

④  * 2 PC

⑥  * 2 PC