

## 2.4G~2.5GHz MIMO PANEL Antenna II 10dBi for N FEMALE PAII-2450-10N-FM01

### APPLICATIONS AND FEATURES

#### Applications:

- 2.4~2.5 GHz Applications
- IEEE 802.11b/g/n MIMO Wireless LAN
- Public Wireless Hotspot
- Directional application
- Wi-Fi, RFID
- Wireless Video Systems
- Bluetooth



#### Features :

- RoHS Compliant
- The Weight is light
- Heavy Duty mounting
- Superior Performance
- Good appearance design
- Installed for vertical or horizontal polarization

### SPECIFICATIONS:

#### Electrical Specifications

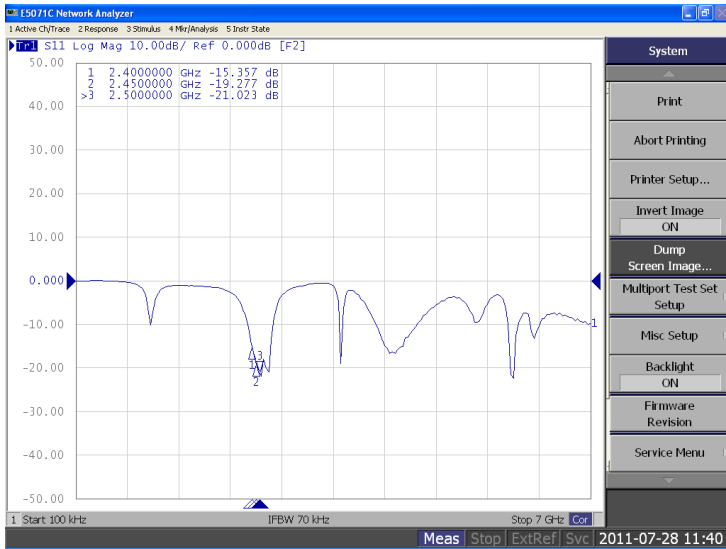
Frequency Range	2400~2500MHz
V.S.W.R	≤ 1.5:1
Return Loss	≥ -14db
Antenna Type	Collinear
Gain	10 dBi
Polarization	Vertical or Horizontal
Maximum Power	50W
Vertical Beam-with	38°
Horizontal Beam-with	75°
Impedance	50Ω
Connector	N female x 3

#### Mechanical Specifications

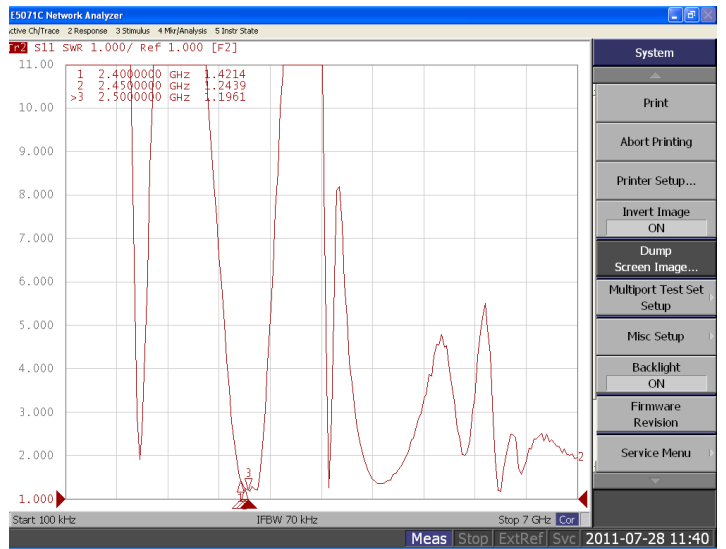
Dimension:	450 x 130mm x 30mm
Weight	680g
Wind Survival	> 120 MPH
Radome Material	ABS + UV resistance
Clamps	Multiple options
Mounting	Multiple options
Operating Temperature	-40°C to +80°C

# TESTING REPORT

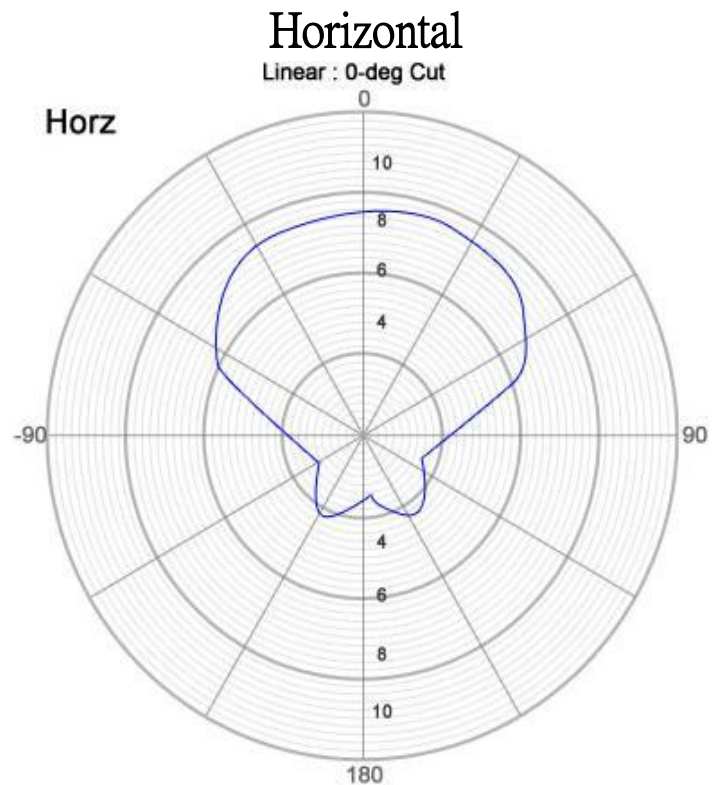
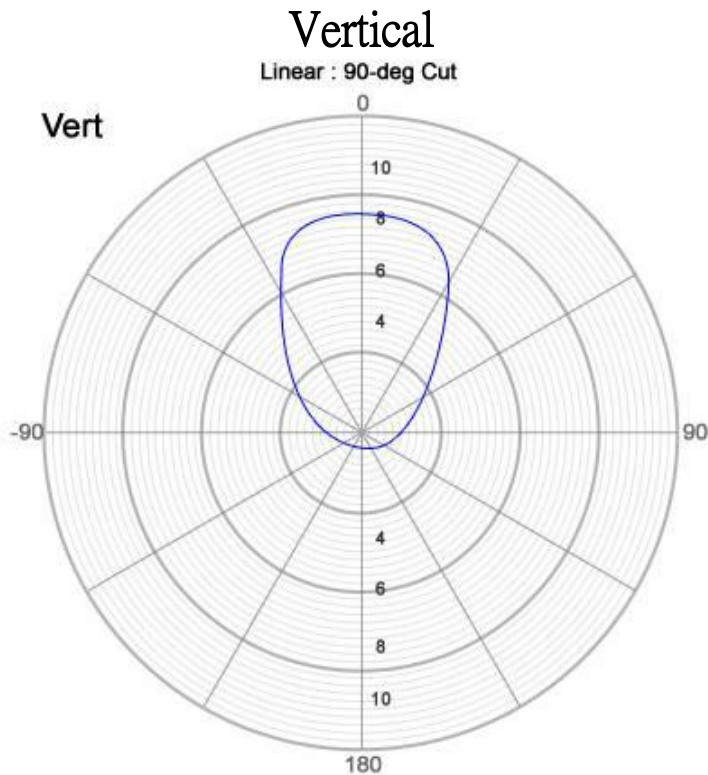
## Return Loss



## V.S.W.R



## Antenna Vertical & Horizontal Pattern



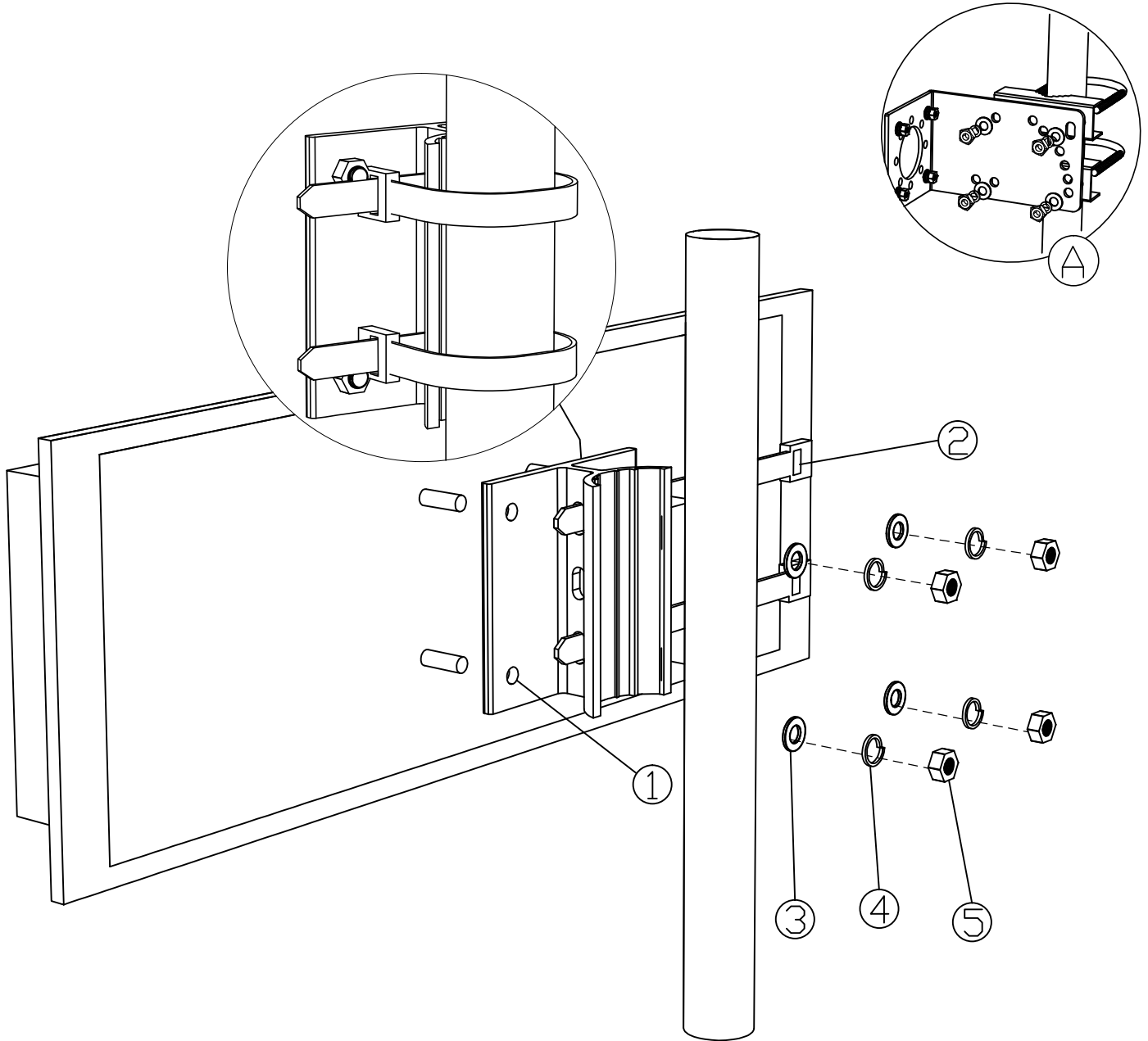
**Hwayaotek**

NO.6 ,Ln.48, Nanxing Rd., Yongkang Dist,  
Tainan City 710, Taiwan (R.O.C)

TEL: +886-6-2712809  
FAX: +886-6-2712870  
<http://www.hwayaotek.com.tw>  
Email:sales@hwayaotek.com.tw

# 2.4GHz PANEL Antenna II

OPTION



## ACCESSORIES

①  \* 1 PC

②  \* 2 PC

③  \* 4 PC

④  \* 4 PC

⑤  \* 4 PC

**Hwayaotek**

NO.6 ,Ln.48, Nanxing Rd., Yong Kang Cist,  
Tainan City 710, Taiwan, R.O.C

TEL: +886-6-2712809  
FAX: +886-6-2712870  
<http://www.hwayaotek.com.tw>  
Email:sales@hwayaotek.com.tw