

2.4G~2.5GHz MIMO PANEL Antenna II 10dBi for SMA FEMALE PAII-2450-10SMA-FM01

APPLICATIONS AND FEATURES

Applications:

- 2.4~2.5 GHz Applications
- IEEE 802.11b/g/n MIMO Wireless LAN
- Public Wireless Hotspot
- Directional application
- Wi-Fi, RFID
- Wireless Video Systems
- Bluetooth



Features :

- RoHS Compliant
- The Weight is light
- Heavy Duty mounting
- Superior Performance
- Good appearance design
- Installed for vertical or horizontal polarization

SPECIFICATIONS:

Electrical Specifications

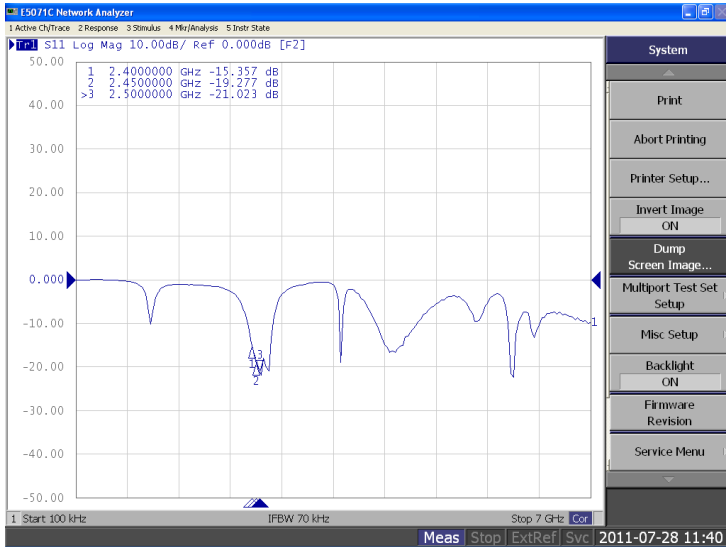
Frequency Range	2400~2500MHz
V.S.W.R	≤ 1.5:1
Return Loss	≥ -14db
Antenna Type	Collinear
Gain	10 dBi
Polarization	Vertical or Horizontal
Maximum Power	50W
Vertical Beam-with	38°
Horizontal Beam-with	75°
Impedance	50Ω
Connector	SMA female x 2

Mechanical Specifications

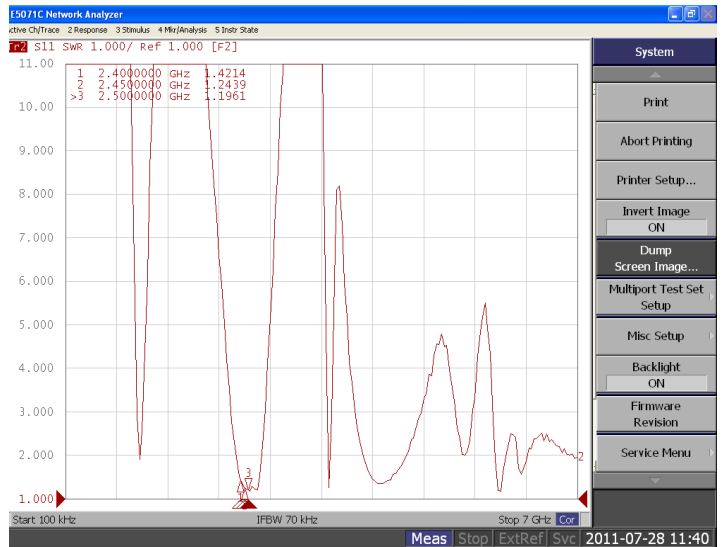
Dimension:	450 x 130mm x 30mm
Weight	540g
Wind Survival	> 120 MPH
Radome Material	ABS + UV resistance
Clamps	Multiple options
Mounting	Multiple options
Operating Temperature	-40°C to +80°C

TESTING REPORT

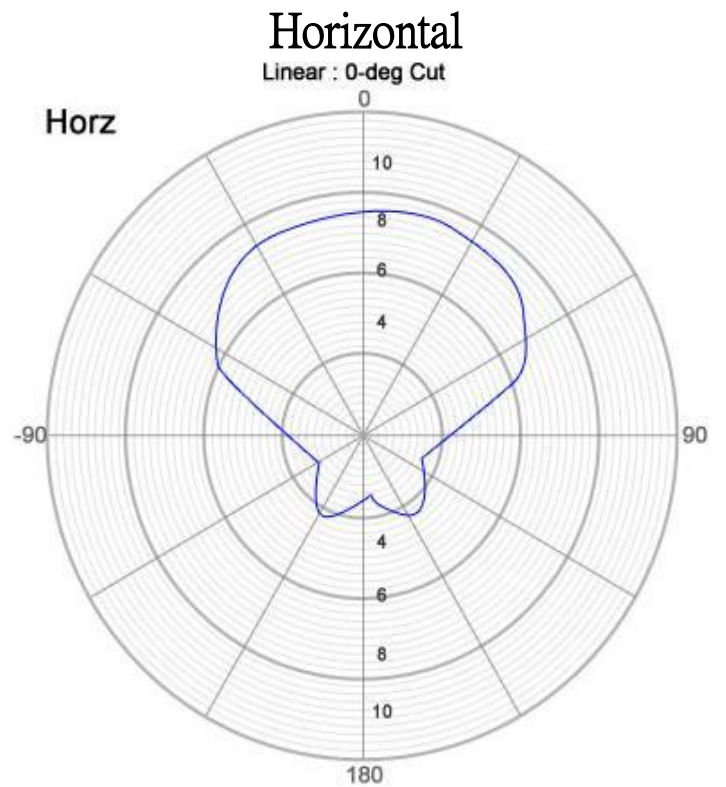
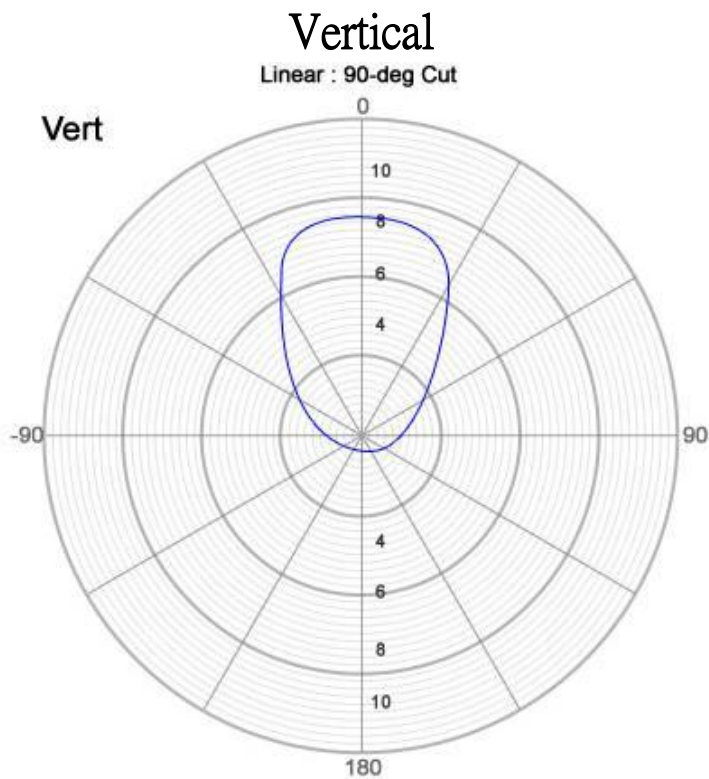
Return Loss



V.S.W.R



Antenna Vertical & Horizontal Pattern



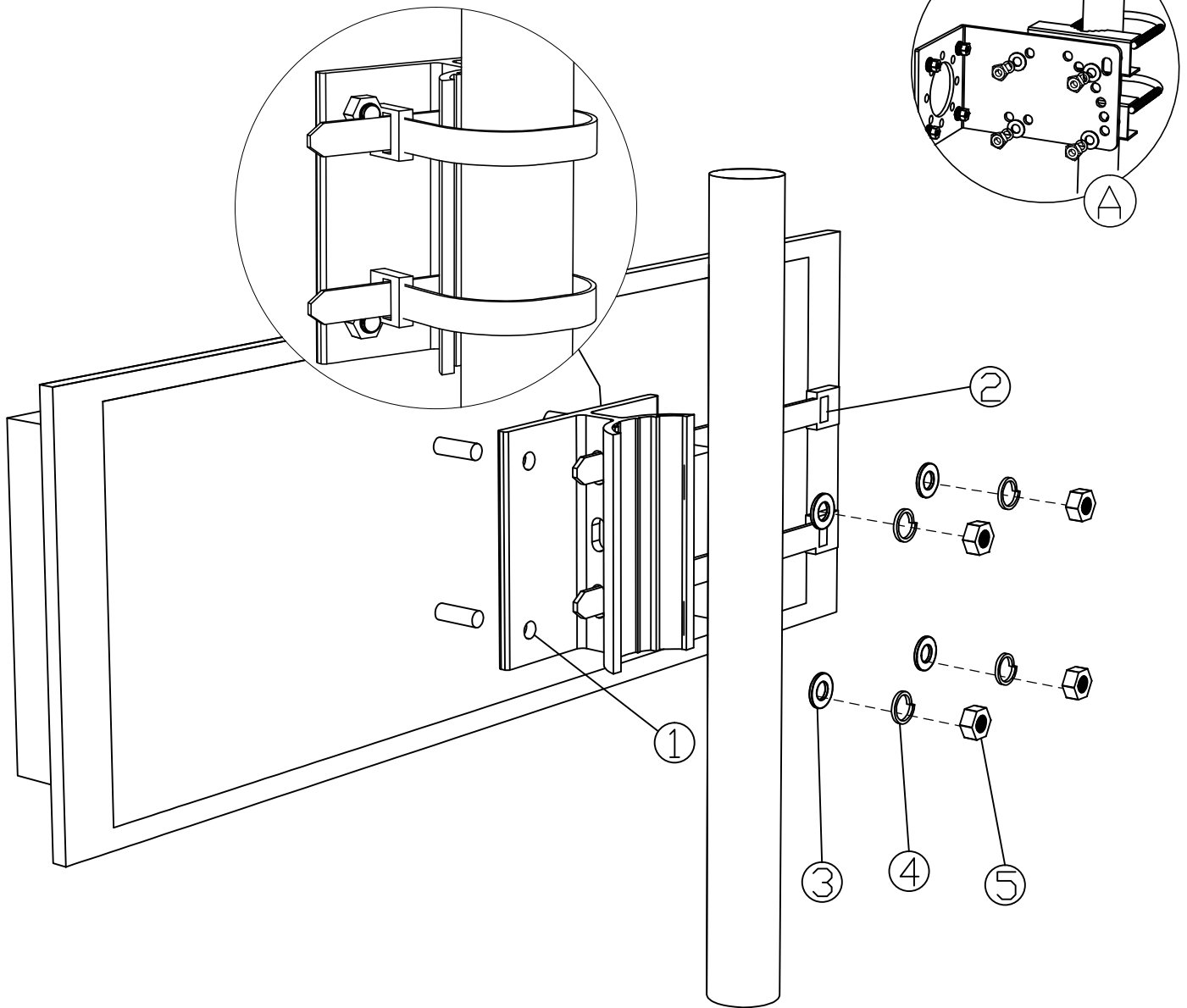
Hwayaotek

NO.6 ,Ln.48, Nanxing Rd., Yongkang Dist,
Tainan City 710, Taiwan (R.O.C)

TEL: +886-6-2712809
FAX: +886-6-2712870
<http://www.hwayaotek.com.tw>
Email:sales@hwayaotek.com.tw

2.4GHz PANEL Antenna II

OPTION



ACCESSORIES

①  * 1 PC

③  * 4 PC

⑤  * 4 PC

②  * 2 PC

④  * 4 PC